

2725 Series

Power-saving Type

Model name

2725Z Overall frequency tolerance of $\pm 100 \times 10^{-6}$.

Application

- For compact mobile information equipment, such as DVC, DSC, notebook PC, and PDA

Features

- A power saving-type crystal oscillator, capable of being driven by a 1.8 V power supply.
- Current consumption during standby is 3 μ A or less.
- Automatic mounting by taping and IR reflow (lead-free) are possible.
- Lead-free.
- Compact and light. Dimensions : 5.0 x 3.2 x 1.0 mm, weight : 0.06 g.

Pb Free

RoHS Compliant
Directive 2011/65/EU

Absolute maximum rating
Supply voltage (V_{CC}) -0.5 to +7.0 V
Storage temperature range -55 to +125 °C

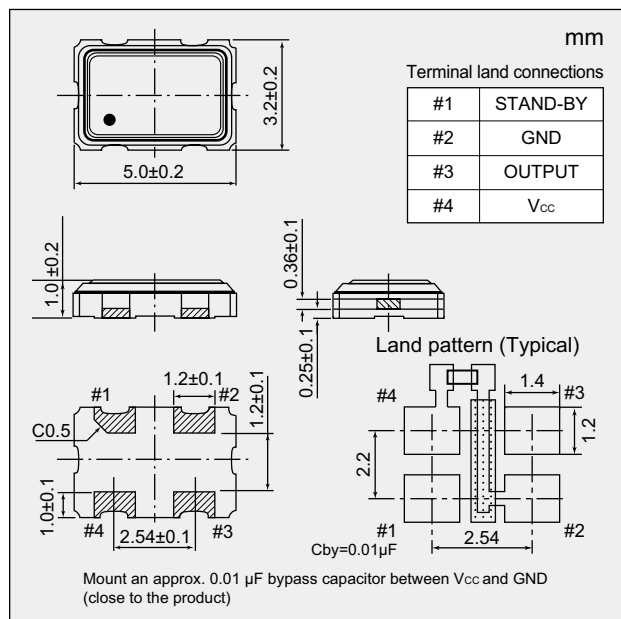


Specifications

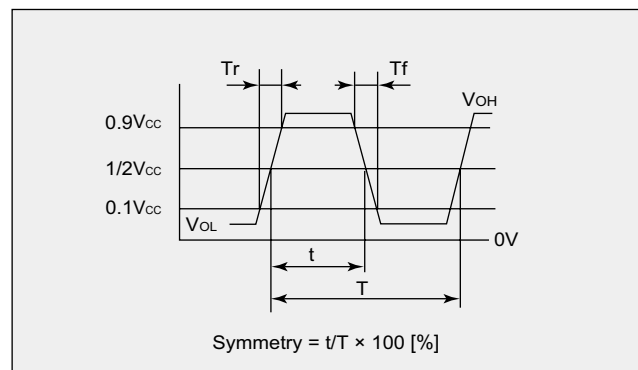
Item	Model	2725Z
Output level		CMOS
Nominal frequency range *1	(MHz)	$2.5 \leq F < 40$
Operating temperature range *2	(°C)	-20 to +70
Overall frequency tolerance	($\times 10^{-6}$)	± 100
Supply voltage [V_{CC}]	(V)	$+1.8 \pm 0.1$
Current consumption (+1.8 V, 25 °C) max	During operation	(mA) 2 (1mA TYP.)
	During standby	(μ A) 3
V_{OL} max/ V_{OH} min	(V)	$0.1 V_{CC}/0.9 V_{CC}$
T_r max/ T_f max	(ns)	6/6 (0.1 V_{CC} to 0.9 V_{CC})
Symmetry min. to max.	(%)	40 to 60 (at 1/2 V_{CC})
Load (C_L) max	(pF)	5
Start-up time max	(ms)	4
Standby function		Available (Three-state)
Number for specifying an order		NSA6297A

*1: If you require a product with a frequency not given above, please contact us. *2: If you require a product with an operating temperature range not given above, please contact us.

Dimensions



Output Waveform <CMOS>



Standby Function

#1 Input	#3 Output
Level H ($0.7 V_{CC} \leq V_{IH} \leq V_{CC}$) or OPEN is selected.	Oscillation output ON
Level L ($V_{IL} \leq 0.3 V_{CC}$) is selected.	High impedance

How to Specify an Order

When ordering our products, specify them with an "Ordering Code" that consists of the following: Example : When ordering a product with model name: 2725Z, frequency: 20 MHz, overall frequency tolerance: $\pm 100 \times 10^{-6}$, and supply voltage: 1.8 V
Ordering Code: 2725Z - 20.000000M - NSA6297A

If you have any queries concerning our standard frequencies and numbers for specifying orders, please contact our sales representatives or visit our homepage (<http://www.ndk.com/>).