



AAVID
THERMALLOY

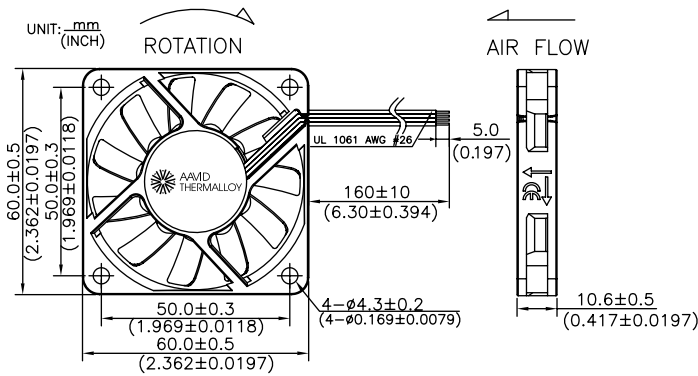
Advance Series (PA) 60mm x 60mm x 10mm



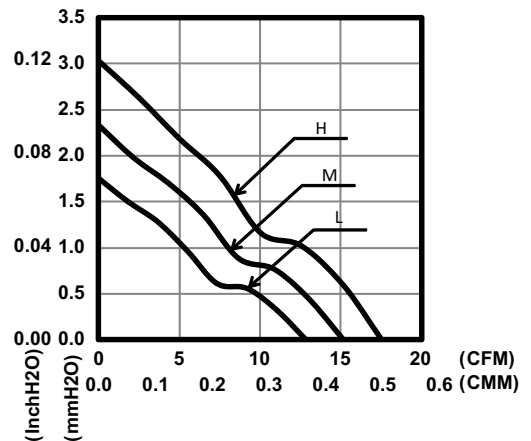
- » Bearing Type: FLB, Sleeve, Ball Bearing
- » Function Type (Optional): FG Signal
- » Protection (Optional) :
Auto Restart Protection
- » Lead Wire:
UL 1061 AWG #26 or Equivalent
Red Wire: Positive (+)
Black Wire: Negative (-)
Yellow Wire: FG Signal

PA SERIES 6010

DIMENSIONS DRAWING



PERFORMANCE CURVES



SPECIFICATION



Model	Function Type	Rated Voltage	Operating Voltage	Rated Current	Input Current	Input Power	Rated Speed	Air Flow		Air Pressure		Noise
		VDC	VDC	Amp	Amp	Watt	RPM	CMM	CFM	mmH ₂ O	InH ₂ O	
PAAD06010SL	0000/F000 P000/PF00	5	4~5.75	0.35	0.11	0.55	3000	0.36	12.8	1.76	0.07	23.0
PAAD06010SM		5	4~5.75	0.45	0.18	0.90	3600	0.43	15.2	2.33	0.09	28.0
PAAD06010SH		5	4~5.75	0.55	0.30	1.50	4100	0.50	17.5	3.04	0.12	31.5
PAAD16010SM	0000/F000 P000/PF00	12	6~13.8	0.20	0.11	1.32	3600	0.43	15.2	2.33	0.09	28.0
PAAD16010SH		12	6~13.8	0.25	0.14	1.68	4100	0.50	17.5	3.04	0.12	31.5
PAAD06010BL	0000/F000 P000/PF00	5	4~5.75	0.35	0.11	0.55	3100	0.38	13.5	1.87	0.07	25.5
PAAD06010BM		5	4~5.75	0.45	0.18	0.90	3700	0.45	15.9	2.47	0.10	29.0
PAAD06010BH		5	4~5.75	0.55	0.30	1.50	4200	0.51	18.1	3.14	0.12	32.5
PAAD16010BM	0000/F000 P000/PF00	12	6~13.8	0.20	0.11	1.32	3700	0.45	15.9	2.47	0.10	29.0
PAAD16010BH		12	6~13.8	0.25	0.14	1.68	4200	0.51	18.1	3.14	0.12	32.5

* Specifications are subject to change without notice