



AAVID  
THERMALLOY

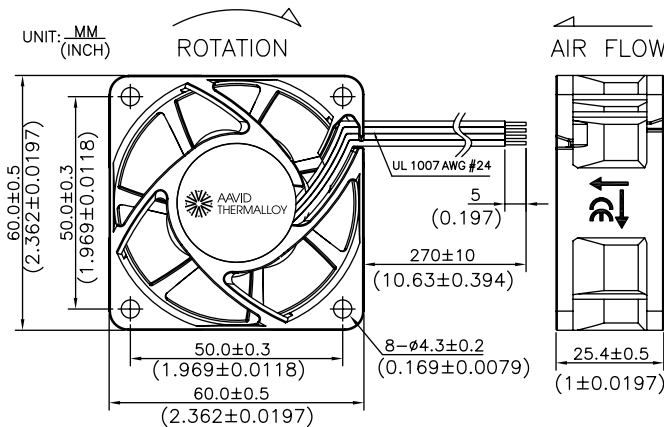
# Advance Series (PA) 60mm x 60mm x 25mm



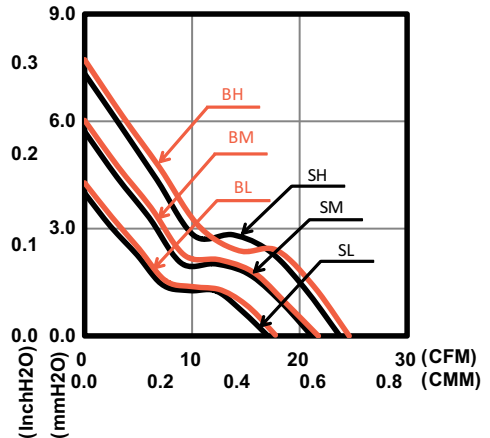
- » Bearing Type: FLB, Sleeve, Ball Bearing
- » Function Type (Optional): FG Signal
- » Protection (Optional) :  
Auto Restart Protection
- » Lead Wire:  
UL 1007 AWG #24 or Equivalent  
Red Wire: Positive (+)  
Black Wire: Negative (-)  
Yellow Wire: FG Signal

PA SERIES 6025

### DIMENSIONS DRAWING



### PERFORMANCE CURVES



### SPECIFICATION



Model	Function Type	Rated Voltage	Operating Voltage	Rated Current	Input Current	Input Power	Rated Speed	Air Flow		Air Pressure		Noise
		VDC	VDC	Amp	Amp	Watt		RPM	CMM	CFM	mmH <sub>2</sub> O	
PAAD16025SL	0000/F000 P000/PF00	12	6~13.8	0.15	0.08	1.96	3300	0.49	17.1	3.99	0.16	26.0
PAAD16025SM		12	6~13.8	0.20	0.11	1.32	4000	0.60	21.2	5.73	0.23	30.5
PAAD16025SH		12	6~13.8	0.25	0.14	1.68	4600	0.67	23.8	7.32	0.29	34.0
PAAD26025SL(-)	0000/F000 P000/PF00	24	12~27.6	0.12	0.06	1.44	3300	0.49	17.1	3.99	0.16	26.0
PAAD26025SM(-)		24	12~27.6	0.14	0.07	1.68	4000	0.60	21.2	5.73	0.23	30.5
PAAD26025SH(-)		24	12~27.6	0.16	0.08	1.92	4600	0.67	23.8	7.32	0.29	34.0
PAAD16025BL	0000/F000 P000/PF00	12	6~13.8	0.15	0.08	0.96	3500	0.50	17.8	4.28	0.17	28.0
PAAD16025BM		12	6~13.8	0.20	0.10	1.20	4200	0.62	21.8	6.04	0.24	32.5
PAAD16025BH		12	6~13.8	0.25	0.13	1.56	4800	0.70	24.6	7.73	0.30	35.5
PAAD26025BL(-)	0000/F000 P000/PF00	24	12~27.6	0.12	0.05	1.20	3500	0.50	17.8	4.28	0.17	28.0
PAAD26025BM(-)		24	12~27.6	0.14	0.06	1.44	4200	0.62	21.8	6.04	0.24	32.5
PAAD26025BH(-)		24	12~27.6	0.16	0.07	1.68	4800	0.70	24.6	7.73	0.30	35.5

\* Specifications are subject to change without notice