



AAVID  
THERMALLOY

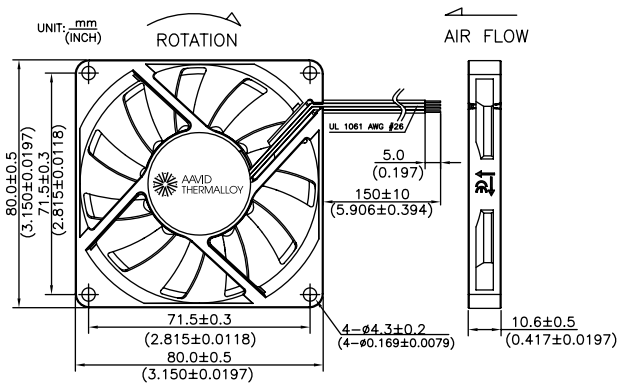
# Superior Series (PS) 80mm x 80mm x 10mm



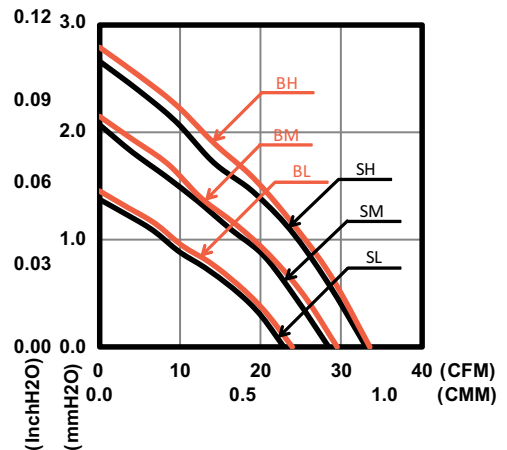
- » Bearing Type: FLB, Ball Bearing
- » Function Type (Optional): FG Signal, RD Signal, PWM
- » Protection:
  - Auto Restart Protection
  - Polarity Reverse Protection
- » Lead Wire:
  - UL 1061 AWG #26 or Equivalent
  - Red Wire: Positive (+)
  - Black Wire: Negative (-)
  - Yellow Wire: FG Signal
  - White Wire: RD Signal
  - Blue Wire: PWM

PS SERIES 8010

## DIMENSIONS DRAWING



## PERFORMANCE CURVES



## SPECIFICATION



Model	Function Type	Rated Voltage	Operating Voltage	Rated Current	Input Current	Input Power	Rated Speed	Air Flow		Air Pressure		Noise
		VDC	VDC	Amp	Amp	Watt		RPM	CMM	CFM	mmH2O	
PSAD08010SL	P000/PF00	5	4.5~5.5	0.22	0.17	0.85	2300	0.65	22.9	1.37	0.05	26.0
PSAD08010SM	PR00/M000											
	MF00/MR00	5	4.5~5.5	0.35	0.28	1.40	2800	0.81	28.5	2.07	0.08	32.0
PSAD18010SL	P000/PF00	12	6~13.8	0.12	0.09	1.08	2300	0.65	22.9	1.37	0.05	26.0
PSAD18010SM	PR00/M000											
PSAD18010SH	MF00/MR00	12	6~13.8	0.24	0.19	2.28	3200	0.94	33.1	2.66	0.11	35.5
PSAD08010BL	P000/PF00	5	4.5~5.5	0.22	0.16	0.80	2400	0.68	23.9	1.46	0.06	28.0
PSAD08010BM	PR00/M000											
	MF00/MR00	5	4.5~5.5	0.35	0.28	1.40	2900	0.83	29.5	2.15	0.09	33.0
PSAD18010BL	P000/PF00	12	6~13.8	0.12	0.09	1.08	2400	0.68	23.9	1.46	0.06	28.0
PSAD18010BM	PR00/M000											
PSAD18010BH	MF00/MR00	12	6~13.8	0.24	0.16	1.92	3300	0.95	33.6	2.79	0.11	36.0

\* Specifications are subject to change without notice