



AAVID
THERMALLOY

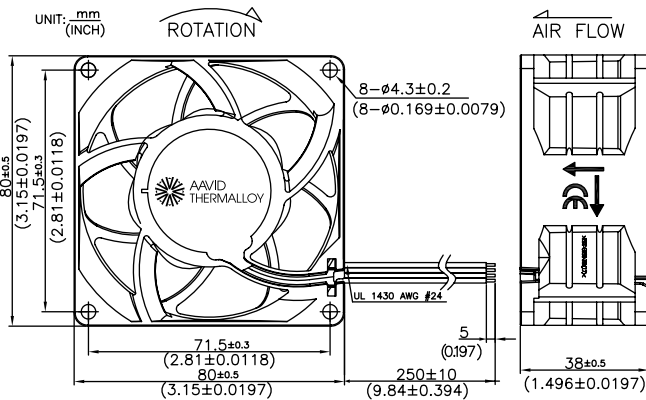
Excellence Series (PE) 80mm x 80mm x 38mm



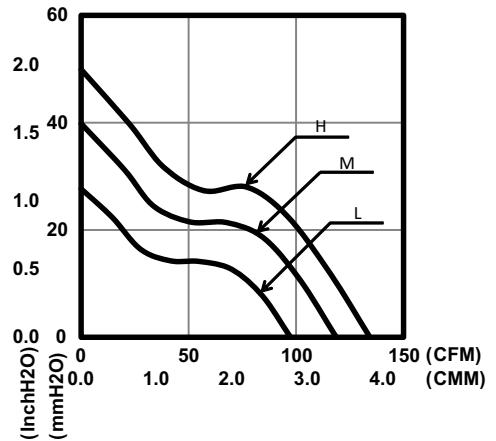
- » Bearing Type: Ball Bearing
- » Function Type (Optional): FG Signal, RD Signal, PWM
- » Protection:
 - Auto Restart Protection
 - Polarity Reverse Protection
- » Lead Wire:
 - UL 1430 AWG #24 or Equivalent
 - Red Wire: Positive (+)
 - Black Wire: Negative (-)
 - Yellow Wire: FG Signal
 - White Wire: RD Signal
 - Blue Wire: PWM

PE SERIES 8038

DIMENSIONS DRAWING



PERFORMANCE CURVES



SPECIFICATION



Model	Function Type	Rated Voltage	Operating Voltage	Rated Current	Input Current	Input Power	Rated Speed	Air Flow		Air Pressure		Noise
		VDC	VDC	Amp	Amp	Watt		RPM	CMM	CFM	mmH2O	
PEAD18038BL	P000/PF00	12	6~13.8	1.83	1.46	17.52	7500	2.76	97.6	27.74	1.09	57.0
PEAD18038BM	PR00/M000	12	6~13.8	2.75	2.20	26.40	9000	3.37	119.0	39.83	1.57	61.5
PEAD18038BH	MF00/MR00	12	6~13.8	3.88	3.10	37.20	10200	3.81	134.5	49.91	1.97	65.5
PEAD28038BL	P000/PF00	24	16~27.6	0.68	0.85	16.32	7500	2.76	97.6	27.74	1.09	57.0
PEAD28038BM	PR00/M000	24	16~27.6	1.10	1.38	26.40	9000	3.37	119.0	39.83	1.57	61.5
PEAD28038BH	MF00/MR00	24	16~27.6	1.55	1.94	37.20	10200	3.81	134.5	49.91	1.97	65.5
PEAD48038BL	P000/PF00	48	30~55.2	0.35	0.44	16.80	7500	2.76	97.6	27.74	1.09	57.0
PEAD48038BM	PR00/M000	48	30~55.2	0.55	0.64	26.40	9000	3.37	119.0	39.83	1.57	61.5
PEAD48038BH	MF00/MR00	48	30~55.2	0.78	0.98	37.44	10200	3.81	134.5	49.91	1.97	65.5

* Specifications are subject to change without notice