



AAVID
THERMALLOY

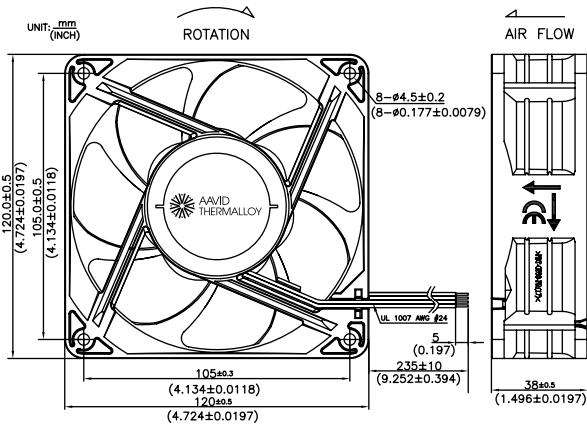
Superior Series (PS) 120mm x 120mm x 38mm



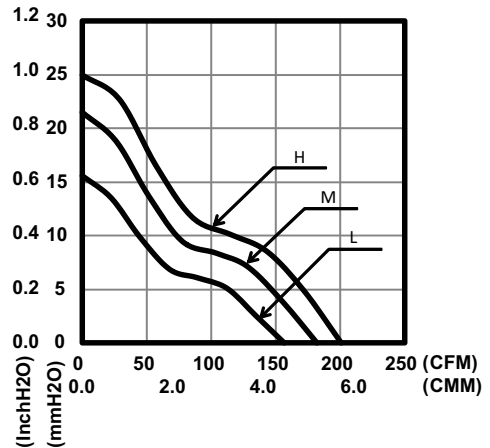
- » Bearing Type: Ball Bearing
- » Function Type (Optional): FG Signal, RD Signal, PWM
- » Protection:
 - Auto Restart Protection
 - Polarity Reverse Protection
- » Lead Wire:
 - UL 1007 AWG #24 or Equivalent
 - Red Wire: Positive (+)
 - Black Wire: Negative (-)
 - Yellow Wire: FG Signal
 - White Wire: RD Signal
 - Blue Wire: PWM

PS SERIES A238

DIMENSIONS DRAWING



PERFORMANCE CURVES



SPECIFICATION



Model	Function Type	Rated Voltage	Operating Voltage	Rated Current	Input Current	Input Power	Rated Speed	Air Flow		Air Pressure		Noise
		VDC	VDC	Amp	Amp	Watt	RPM	CMM	CFM	mmH ₂ O	InH ₂ O	dBA
PSAD1A238BL	P000/PF00	12	6~13.8	0.91	0.73	8.76	3500	4.44	156.9	15.58	0.61	51.0
PSAD1A238BM	PR00/M000	12	6~13.8	1.35	1.08	12.96	4100	5.16	182.1	21.45	0.84	55.5
PSAD1A238BH	MF00/MR00	12	6~13.8	1.75	1.40	16.80	4600	5.69	200.9	25.00	0.98	59.5
PSAD2A238BL	P000/PF00	24	16~27.6	0.44	0.35	8.40	3500	4.44	156.9	15.58	0.61	51.0
PSAD2A238BM	PR00/M000	24	16~27.6	0.65	0.55	13.20	4100	5.16	182.1	21.45	0.84	55.0
PSAD2A238BH	MF00/MR00	24	16~27.6	0.88	0.70	16.80	4600	5.69	200.9	25.00	0.98	59.5
PSAD4A238BL	P000/PF00	48	30~55.2	0.23	0.18	8.64	3500	4.44	156.9	15.58	0.61	51.0
PSAD4A238BM	PR00/M000	48	30~55.2	0.34	0.27	12.96	4100	5.16	182.1	21.45	0.84	55.0
PSAD4A238BH	MF00/MR00	48	30~55.2	0.48	0.36	17.28	4600	5.69	200.9	25.00	0.98	59.5

* Specifications are subject to change without notice