



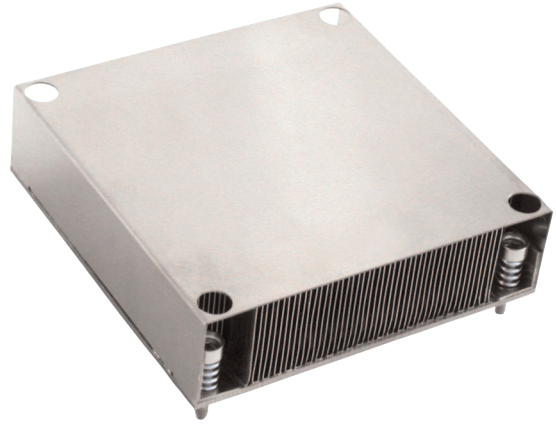
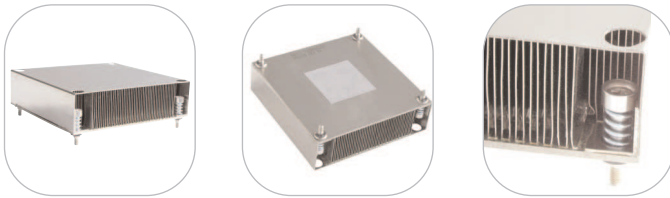
**AAVID  
THERMALLOY**

## Xeon 5500 Series Blade High Performance Heat Sink

**RoHS** ✓  
**Compliant**

### PASSIVE HEAT SINK FOR INTEL® XEON 5500 SERIES PROCESSORS

Aavid's line of 5500 series processor heat sinks are suitable for mainstream servers. Their unique design removes heat using heat pipes, copper, and aluminum construction. Each heat sink comes with the necessary hardware and thermal interface for quick and easy assembly.



#### CRITICAL APPLICATION NEEDS:

- *Remove heat from the processor*
- *CPU thermal solution is part of the system solution*
- *Proper mechanical force loading*

#### FEATURES:

- *Optimized design and robust construction focusses on rapid heat removal from the chip using heat pipes, copper, and aluminum geometries*
- *This design was developed using an overall system analysis with standard component layout and requirements. This solution met all of the parameters regarding the standard server architecture and allowed for overall system cooling to be achieved*
- *The new LGA1366 package requires the dynamic heat sink loading to be controlled to achieve proper electrical interconnect over long term reliability. These requirements have been achieved with our product*

#### ORDERING INFORMATION:

Part Number	Description
050235	Aluminum w/ Heat Pipes
050076	Backing Plate

FOR MORE INFORMATION, VISIT OUR WEB SITE: [WWW.AAVIDTHERMALLOY.COM](http://WWW.AAVIDTHERMALLOY.COM)  
TEL: (603) 224-9988



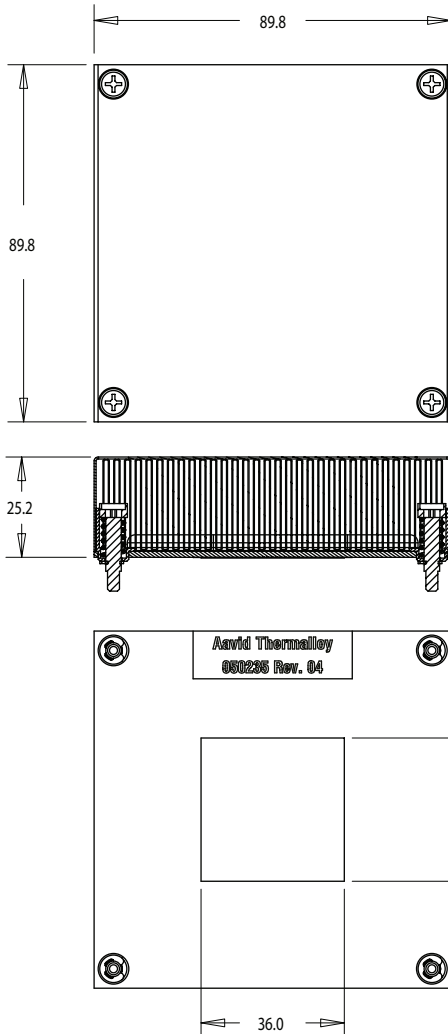
**AAVID  
THERMALLOY**

## Xeon 5500 Series Blade High Performance Heat Sink

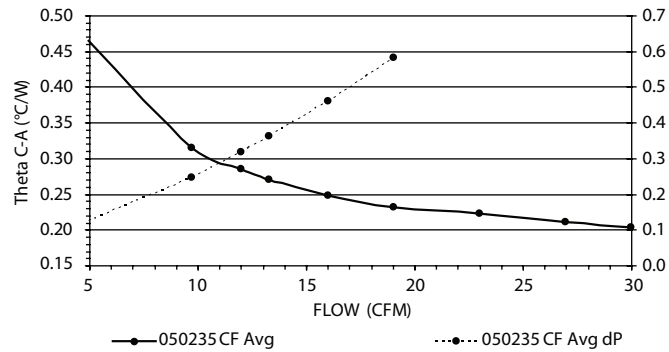
**RoHS Compliant**

### MECHANICAL DRAWING:

Dimensions are shown as mm



### THERMAL PERFORMANCE:



### PHYSICAL SPECIFICATION:

<b>Application</b>	Intel® Xeon 5500 series
<b>Intel Compatibility</b>	E5540, E5530, E5520, E5506, E5504, E5502, L5520, L5506
<b>Socket Type</b>	LGA 1366
<b>Construction</b>	Base Aluminum Base Fins Aluminum Fin with Heat Pipes
<b>Thermal Interface Material<sup>1</sup></b>	Shin-Etsu G751 Grease
<b>Weight</b>	170 Grams
<b>Mechanical</b>	Designed to meet Intel® shock and vibration requirements

#### North America

70 Commercial Street  
Concord, NH 03301  
TEL: (603) 224-9988  
FAX: (603) 223-1790  
EMAIL: info@aavid.com

#### Europe - Italy

Via Aprile, 32  
40057 Cadriano (BO), Italy  
TEL: (39) 051 764011  
FAX: (39) 051 764092  
EMAIL: sales.it@aavid.com

#### Asia - Taiwan

14F-4, NO. 79, Hsin Tai Wu RD.  
SEC. 1, Hsi Chih  
Taipei Hsien, Taiwan  
TEL: 011(886) 2-2698-9888  
FAX: 011(886) 2-2698-9808  
EMAIL: sales.tw@aavid.com

#### Asia - Singapore

31 Admiralty Road, #06-01  
Singapore 739984  
TEL: 65-6362-8388  
FAX: 65-6362-8588  
EMAIL: sales.sg@aavid.com

PLEASE NOTE: Any information furnished by Aavid Thermalloy is believed to be accurate and reliable, but our customers must bear all responsibility for use and applications of Aavid Thermalloy products. AAVID THERMALLOY MAKES NO WARRANTIES EXPRESSED OR IMPLIED, AS TO THE FITNESS, MERCHANTABILITY, OR SUITABILITY OF ANY AAVID PRODUCTS FOR ANY SPECIFIC OR GENERAL USES. AAVID THERMALLOY SHALL NOT BE LIABLE FOR INCIDENTAL OR CONSEQUENTIAL DAMAGES OF ANY KIND. All Aavid Thermalloy products are sold pursuant to the Aavid Thermalloy Domestic Terms and Conditions of Sale in effect from time to time, a copy of which shall be furnished upon request (8911A). Copyright © Aavid Thermalloy, LLC. February 2009. All icons, drawings, illustrations, and trademarks are the property of Aavid Thermalloy, LLC. and may not be reproduced without express written permission. (2/2009)

**FOR MORE INFORMATION, VISIT OUR WEB SITE: [WWW.AAVIDTHERMALLOY.COM](http://WWW.AAVIDTHERMALLOY.COM)  
TEL: (603) 224-9988**