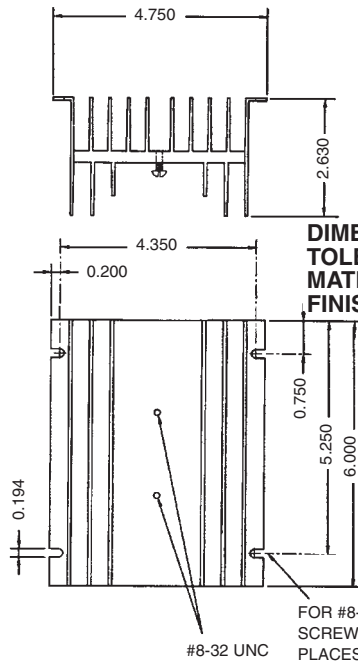


SOLID STATE RELAY ACCESSORIES

HS5 HEATSINK

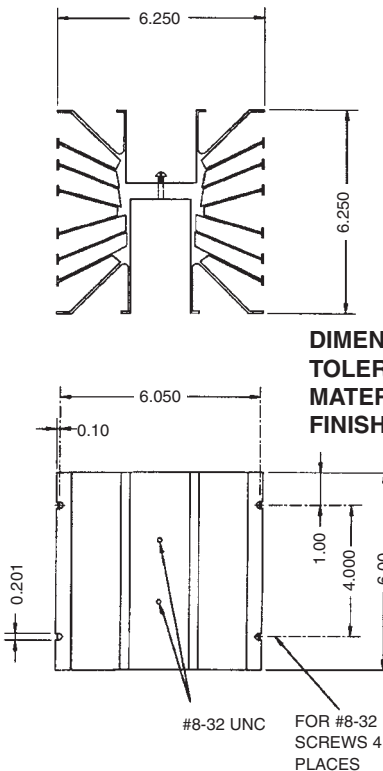
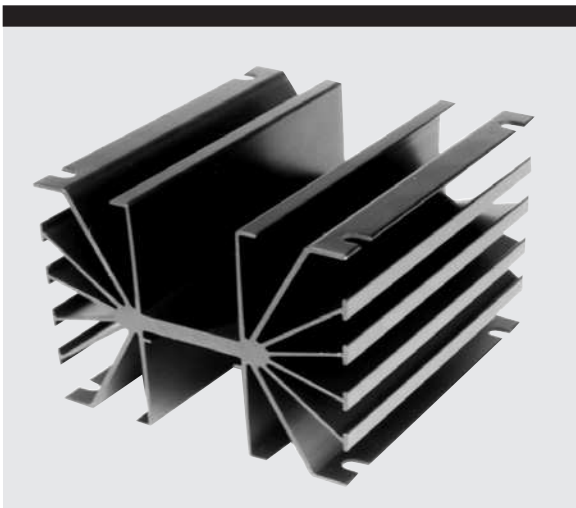


DIMENSIONS: inches
TOLERANCES: ± 0.02 inches
MATERIAL: AISI 6063-T5 Aluminum
FINISH: Black Anodized

ORDERING INFORMATION:

Model #	Description
HS5	Heatsink 0.7°C/W (For Single Phase SSR's)

HS6 HEATSINK



DIMENSIONS: inches
TOLERANCES: ± 0.02 inches
MATERIAL: AISI 6063-T5 Aluminum
FINISH: Black Anodized

ORDERING INFORMATION:

Model #	Description
HS6	Heatsink 0.5°C/W (For Single Phase SSR's)

Products and specifications subject to change without notice.
 Consult factory for application assistance.