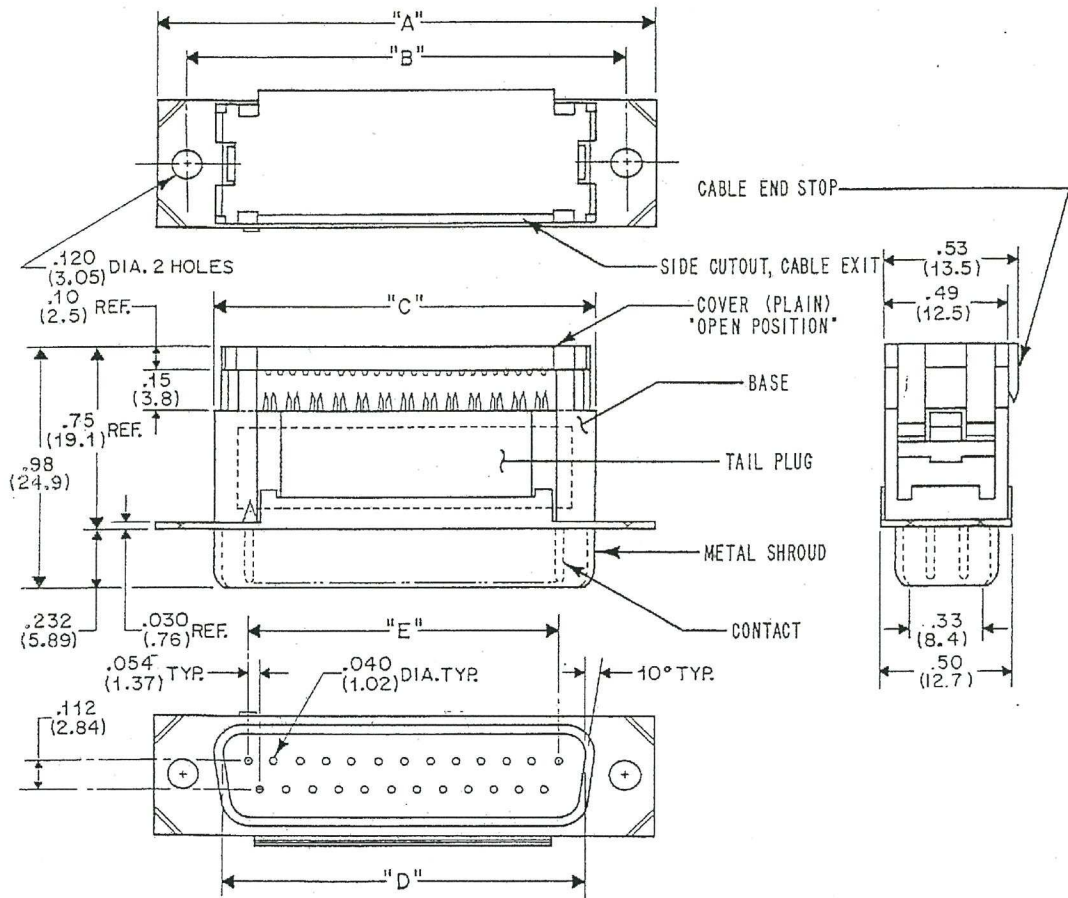


DIMENSIONS IN INCHES (METRIC-MILLIMETERS)
DO NOT SCALE DRAWING..

Drawing Number
CWR-282-XX-0021

NOTES:

1. Dimensions are in inches; dimensions in () are millimeters.
2. Metric equivalents are given for general information only, and are based upon 1.00 inches equals (25.4) millimeters.



MATERIALS:

PLASTIC PARTS-UL94V-0 thermoplastic (blue, standard) flame retardant.
CONTACTS-Phosphor bronze.

CONTACT PLATING-

Selective gold plating, .000030 (typ.) gold in mating area and .000100(min.) Tin Plating on the termination end, All over .000050 (typ.) nickel.

OPERATING STANDARDS:

- TEMPERATURE RATING-120°C.
- CONTACT RATING-1 ampere.
- DIELECTRIC STRENGTH-Over 500V.D.C. at sea level.
- CONDUCTORS ACCEPTED-28-30AWG solid or stranded.
- INSULATION RESISTANCE-Greater than 5x10⁹ ohms.

CUSTOMER DRAWING

NO. CONTS.	A	B	C	D	E
9	1.224 (31.09)	.984 (24.99)	.769 (19.53)	.656 (16.66)	.434 (11.02)
15	1.552 (39.42)	1.312 (33.32)	1.093 (27.76)	.982 (24.94)	.760 (19.30)
25	2.092 (53.14)	1.852 (47.04)	1.635 (41.53)	1.526 (38.70)	1.303 (33.10)
37	2.740 (69.60)	2.500 (63.50)	2.282 (57.96)	2.178 (55.32)	1.955 (49.66)

REVISIONS	DATE	BY	DESCRIPTION
0			
1	3-4-92	SPR	TIN-LEAD WAS REMOVED & TIN-PLATING WAS ADDED IN CONTACT PLATING.
			DCW 3-31-2006

GG APR 03 2006

ATTENTION
THIS DRAWING AND ITS ATTACHMENTS, IF ANY, ARE PROPRIETARY TO CW INDUSTRIES AND DESCRIBE DESIGNS THAT ARE CONFIDENTIAL AND MUST NOT BE DISCLOSED UNLESS AUTHORIZED, IN WRITING, BY AN OFFICER OF CW INDUSTRIES.....

CW INDUSTRIES
Southampton, Pa. 18966

TOLERANCES UNLESS OTHERWISE SPECIFIED

2 Place decimal ±.010	METRIC
3 Place decimal ±.005	1 Place dec. ±.25MM
Angles ±1°	2 Place dec. ±.13MM

Made for _____
 Drawn by SPR 3-4-92
 Checker DSK 3-4-92
 Eng. appr. DSK 3-4-92

METAL SHROUD "D" CONNECTOR (RECEPTACLE) MALE CONTACTS

Division CONNECTOR

Drawing Number
CWR-282-XX-0021

MASTER