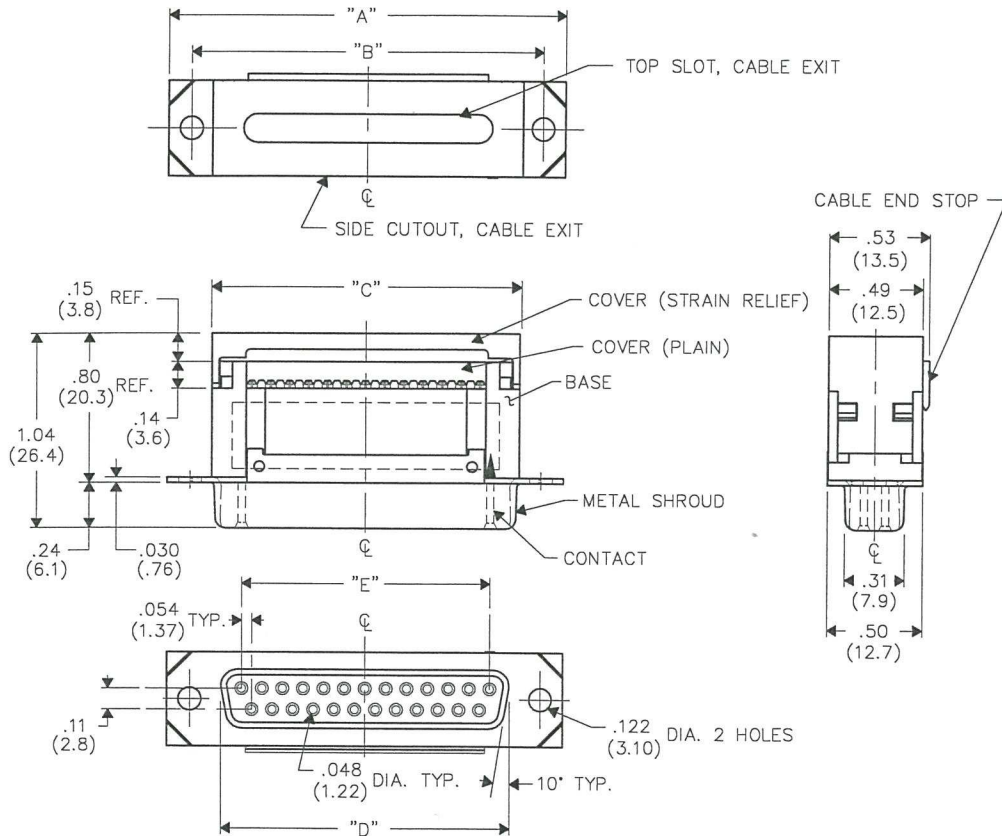


DIMENSIONS IN INCHES (MILLIMETERS)
DO NOT SCALE DRAWING

Dwg. No.

CWR-283-XX-0000



NOTES:

1. Dimensions are in inches; dimensions in () are millimeters.
2. Metric equivalents are given for general information only, and are based upon 1.00 inches equals (25.4) millimeters.
3. Unless otherwise specified, tolerances are ± 0.005 (.13) for three place decimals, and ± 0.01 (.3) for two place decimals.

MATERIALS:

PLASTIC PARTS - UL94V-0 thermoplastic (blue, standard) flame retardant.

CONTACTS - Phosphor bronze.

CONTACT PLATING- Selective gold plating, .000010 (typ.) gold in mating area and .000100(min.) Tin-Lead on the termination end, All over .000050 nickel in remaining area.

OPERATING STANDARDS:

TEMPERATURE RATING - 125°

CONTACT RATING - 1 ampere.

DIELECTRIC STRENGTH - Over 500V.D.C. at sea level.

CONDUCTORS ACCEPTED - 28-30 AWG solid or stranded.

INSULATION RESISTANCE - Greater than 5×10^9 ohms.

NO. CONTS.	A	B	C	D	E
9	1.224 (31.09)	.984 (24.99)	.762 (19.35)	.644 (16.36)	.434 (11.02)
15	1.552 (39.42)	1.312 (33.32)	1.088 (27.64)	.970 (24.64)	.760 (19.30)
25	2.092 (53.14)	1.852 (47.04)	1.632 (41.45)	1.514 (38.46)	1.303 (33.10)
37	2.740 (69.60)	2.500 (63.50)	2.284 (58.01)	2.166 (55.02)	1.955 (49.66)

CUSTOMER DRAWING

FORM-B
REVISIONS

0
RELEASED
DGW 10-13-95
AW 10-17-95
19 1995

ATTENTION
THIS DRAWING AND ITS ATTACHMENTS, IF ANY, ARE PROPRIETARY TO CW INDUSTRIES AND DESCRIBE DESIGNS THAT ARE CONFIDENTIAL AND MUST NOT BE DISCLOSED UNLESS AUTHORIZED, IN WRITING, BY AN OFFICER OF CW INDUSTRIES.....

CW INDUSTRIES
Southampton, Pa. 18966

TOLERANCES UNLESS OTHERWISE SPECIFIED

2 Place decimal ± 0.010	METRIC
3 Place decimal ± 0.005	1 Place dec. $\pm 0.25mm$
Angles $\pm 1^\circ$	2 Place dec. $\pm 0.13mm$

Made for: CW IND.

Drawn by: DGW 10-13-95

Checked by: G. GULD 10-18-95

Approved: A. HOSFIELD 10-19-95

Title:

METAL SHROUD
"D" CONNECTOR
(PLUG)
FEMALE CONTACTS

Division:

CONNECTOR

Dwg. No.

CWR-283-XX-0000

MASTER