

DIMENSIONS IN INCHES (MILLIMETERS)
DO NOT SCALE DRAWING

Dwg. No.
CWR-280-XX-0000

NOTES:

1. Dimensions are in inches; dimensions in () are millimeters.
2. Metric equivalents are given for general information only, and are based upon 1.00 inches equals (25.4) millimeters.
3. Unless otherwise specified, tolerances are ± 0.005 (.13) for three place decimals, and ± 0.01 (.3) for two place decimals.

MATERIALS:

PLASTIC PARTS - UL94V-0 thermoplastic (blue, standard) flame retardant.

CONTACTS - Phosphor bronze.

CONTACT PLATING- Selective gold plating, .000010 (Min.) in Mating Area/100 Tin Plating (Min.) in Termination Area (All Over .000050 Nickel)

OPERATING STANDARDS:

TEMPERATURE RATING - 125° C

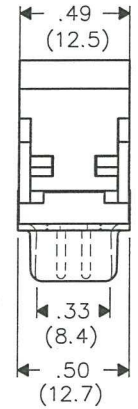
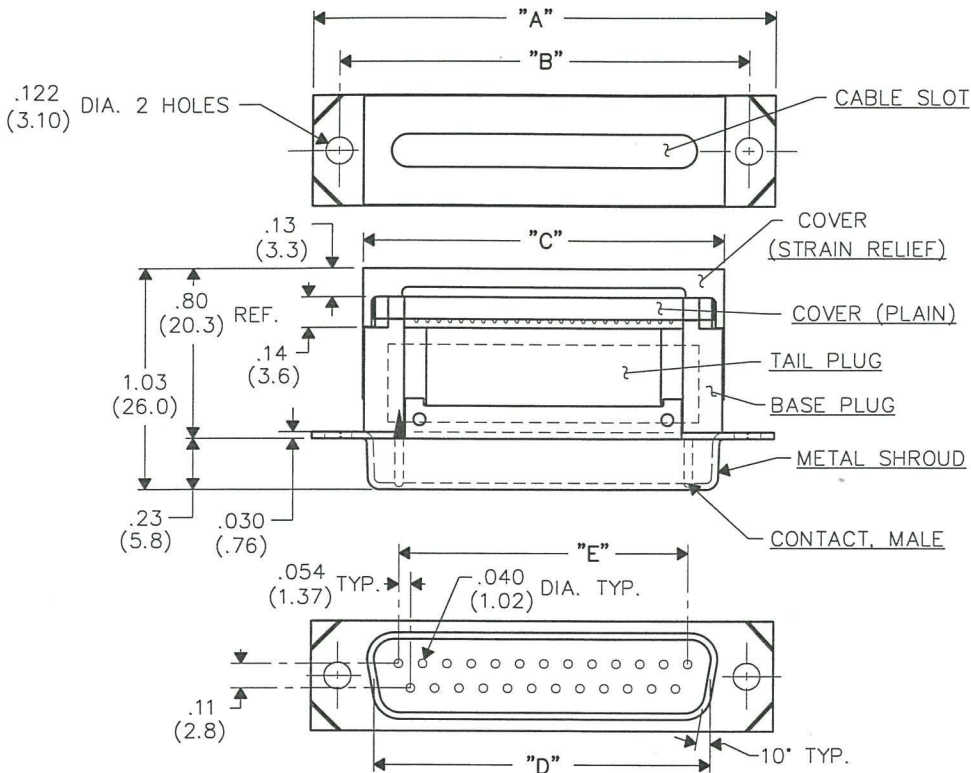
CONTACT RATING - 1 ampere.

DIELECTRIC STRENGTH - Over 500V.D.C. at sea level.

CONDUCTORS ACCEPTED - 28-30 AWG solid or stranded.

INSULATION RESISTANCE - Greater than 5×10^9 ohms.

E
D
C
B
A



CUSTOMER DRAWING

| NO. CONTS. | A | B | C | D | E |
|------------|------------------|------------------|------------------|------------------|------------------|
| 9 | 1.224 (31.09) | .984 (24.99) | .762 (19.35) | .656 (16.66) | .434 (11.02) |
| 15 | 1.552 (39.42) | 1.312 (33.32) | 1.088 (27.64) | .982 (24.94) | .760 (19.30) |
| 25 | 2.092 (53.14) | 1.852 (47.04) | 1.632 (41.45) | 1.526 (38.76) | 1.303 (33.10) |
| 37 | 2.740 (69.60) | 2.500 (63.50) | 2.284 (58.01) | 2.178 (55.32) | 1.955 (49.66) |

| REVISIONS | DATE | DESCRIPTION |
|-----------|------------|--|
| 0 | 11-06-2000 | RELEASED |
| 1 | 11-06-2000 | TIN-LEAD WAS REMOVED & TIN-PLATING WAS ADDED IN CONTACT PLATING. |

APR 08 2008

ATTENTION
THIS DRAWING AND ITS ATTACHMENTS, IF ANY, ARE PROPRIETARY TO CW INDUSTRIES AND DESCRIBE DESIGNS THAT ARE CONFIDENTIAL AND MUST NOT BE DISCLOSED UNLESS AUTHORIZED, IN WRITING, BY AN OFFICER OF CW INDUSTRIES.....

CW INDUSTRIES
Southampton, Pa. 18966

TOLERANCES UNLESS OTHERWISE SPECIFIED

| | |
|-----------------------------|----------------------------|
| 2 Place Decimal ± 0.010 | METRIC |
| 3 Place Decimal ± 0.005 | 1 Place Dec. ± 0.25 mm |
| Angles $\pm 1^\circ$ | 2 Place Dec. ± 0.13 mm |

Made for: CW IND.

Drawn by: DGW 11-06-2000

Checked by: G. Gold 11-13-00

Approval: A. HOSFELD 11-13-00

Title: METAL SHROUD "D" CONNECTER RECEPTACLE (MALE CONTACTS)

Division: CONNECTER

Dwg. No. CWR-280-XX-0000

MASTER