

DIMENSIONS IN INCHES (MILLIMETERS)  
DO NOT SCALE DRAWING .....

Dwg. No.  
**CWR-281-XX-0000**

**NOTES:**

1. Dimensions are in inches; dimensions in ( ) are millimeters.
2. Metric equivalents are given for general information only, and are based upon 1.00 inches equals (25.4) millimeters.
3. Unless otherwise specified, tolerances are  $\pm .005$  (.13) for three place decimals, and  $\pm .01$  (.3) for two place decimals.

**MATERIALS:**

PLASTIC PARTS - UL94V-0 thermoplastic (blue, standard) flame retardant.

CONTACTS - Phosphor bronze.

CONTACT PLATING - Selective gold plating, .000010 (typ.) gold in mating area and .000100(min.) Tin Plating on the termination end, All over .000050 nickel in remaining area.

**OPERATING STANDARDS:**

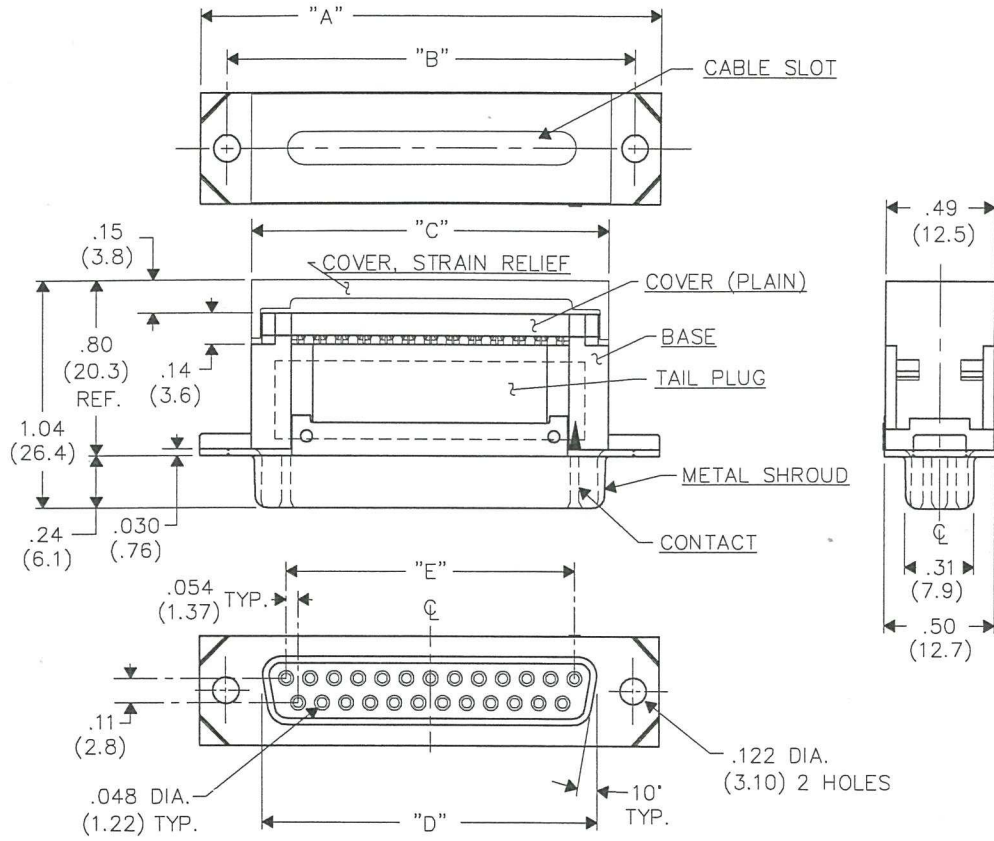
TEMPERATURE RATING - 125°

CONTACT RATING - 1 ampere.

DIELECTRIC STRENGTH - Over 500V.D.C. at sea level.

CONDUCTORS ACCEPTED - 28-30 AWG solid or stranded.

INSULATION RESISTANCE - Greater than  $5 \times 10^9$  ohms.



**CUSTOMER DRAWING**

NO. CONTS.	A	B	C	D	E
9	1.224 (31.09)	.984 (24.99)	.762 (19.35)	.644 (16.36)	.434 (11.02)
15	1.552 (39.42)	1.312 (33.32)	1.088 (27.64)	.970 (24.64)	.760 (19.30)
25	2.092 (53.14)	1.852 (47.04)	1.632 (41.45)	1.514 (38.46)	1.303 (33.10)
37	2.740 (69.60)	2.500 (63.50)	2.284 (58.01)	2.166 (55.02)	1.955 (49.66)

FORM-B4	REVISIONS	<b>ATTENTION</b> THIS DRAWING AND ITS ATTACHMENTS, IF ANY, ARE PROPRIETARY TO CW INDUSTRIES AND DESCRIBE DESIGNS THAT ARE CONFIDENTIAL AND MUST NOT BE DISCLOSED UNLESS AUTHORIZED, IN WRITING, BY AN OFFICER OF CW INDUSTRIES.....	<b>CW INDUSTRIES</b> Southampton, Pa. 18966 TOLERANCES UNLESS OTHERWISE SPECIFIED 2 Place Decimal $\pm .010$ METRIC 3 Place Decimal $\pm .005$ 1 Place Dec. $\pm .25$ mm Angles ..... $\pm 1^\circ$ 2 Place Dec. $\pm .13$ mm	Title: METAL SHROUD "D" CONNECTOR PLUG (FEMALE CONTACTS) Division: CONNECTOR Dwg. No. CWR-281-XX-0000		
	0 RELEASED. 4-27-2000 DGW 4-27-2000				1 TIN-LEAD WAS REMOVED & TIN-PLATING WAS ADDED IN CONTACT PLATING. DGW 3-31-2006 GG APR 03 2006	Made for: CW IND.
	1 TIN-LEAD WAS REMOVED & TIN-PLATING WAS ADDED IN CONTACT PLATING. DGW 3-31-2006				Checked by: G. Buid 4-27-00	Drawn by: DGW 4-27-2000
	GG APR 03 2006				Approval: A. HOSFELD 4-28-00	

**MASTER**