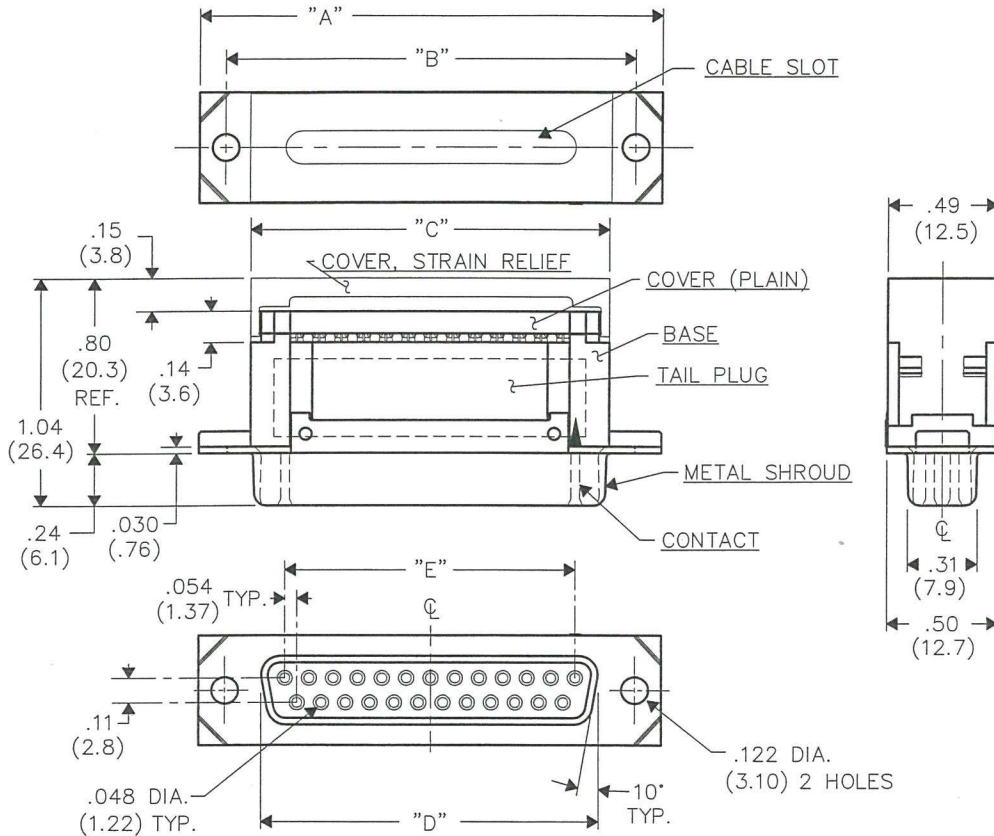


DIMENSIONS IN INCHES (MILLIMETERS)  
DO NOT SCALE DRAWING .....

Dwg. No.  
**CWR-281-XX-0203**



**NOTES:**

1. Dimensions are in inches; dimensions in ( ) are millimeters.
2. Metric equivalents are given for general information only, and are based upon 1.00 inches equals (25.4) millimeters.
3. Unless otherwise specified, tolerances are  $\pm .005$  (.13) for three place decimals, and  $\pm .01$  (.3) for two place decimals.

**MATERIALS:**

**PLASTIC PARTS** - UL94V-0 thermoplastic (blue, standard) flame retardant.  
**CONTACTS** - Phosphor bronze.  
**CONTACT PLATING** - .000100 (Min.) Tin Plating  
 All Over .000050 Min. Nickel

**OPERATING STANDARDS:**

**TEMPERATURE RATING** - 125°  
**CONTACT RATING** - 1 ampere.  
**DIELECTRIC STRENGTH** - Over 500V.D.C. at sea level.  
**CONDUCTORS ACCEPTED** - 28-30 AWG solid or stranded.  
**INSULATION RESISTANCE** - Greater than  $5 \times 10^9$  ohms.

NO. CONTS.	A	B	C	D	E
9	1.224 (31.09)	.984 (24.99)	.762 (19.35)	.644 (16.36)	.434 (11.02)
15	1.552 (39.42)	1.312 (33.32)	1.088 (27.64)	.970 (24.64)	.760 (19.30)
25	2.092 (53.14)	1.852 (47.04)	1.632 (41.45)	1.514 (38.46)	1.303 (33.10)
37	2.740 (69.60)	2.500 (63.50)	2.284 (58.01)	2.166 (55.02)	1.955 (49.66)

**CUSTOMER DRAWING**

1 2 3 4 5 6 7 8 9 10

FORM-B4 <b>REVISIONS</b> RELEASED: 9-18-2006 DGW <b>SEP 20 2006</b>	<b>ATTENTION</b>	<b>CW INDUSTRIES</b> Southampton, Pa. 18966 <b>TOLERANCES UNLESS OTHERWISE SPECIFIED</b> 2 Place Decimal $\pm .010$ METRIC 3 Place Decimal $\pm .005$ 1 Place Dec. $\pm .25$ mm Angles $\pm 1^\circ$ 2 Place Dec. $\pm .13$ mm	Title: <b>METAL SHROUD "D" CONNECTOR PLUG (FEMALE CONTACTS)</b> Division: <b>CONNECTOR</b> Dwg. No. <b>CWR-281-XX-0203</b>
	THIS DRAWING AND ITS ATTACHMENTS, IF ANY, ARE PROPRIETARY TO CW INDUSTRIES AND DESCRIBE DESIGNS THAT ARE CONFIDENTIAL AND MUST NOT BE DISCLOSED UNLESS AUTHORIZED, IN WRITING, BY AN OFFICER OF CW INDUSTRIES.		
	Made for: <b>CW IND.</b>		
	Drawn by: <b>DGW 9-18-2006</b> Checked by: <b>G. Gold 9-19-06</b> Approval: <i>[Signature]</i>		

**MASTER**