

DIMENSIONS IN INCHES (MILLIMETERS)  
DO NOT SCALE DRAWING .....

Dwg. No.

CWR-182-XX-0000

**NOTES:**

1. Dimensions are in inches; dimensions in ( ) are millimeters.
2. Metric equivalents are given for general information only, and are based upon 1.00 inches equals (25.4) millimeters.
3. Unless otherwise specified, tolerances are  $\pm 0.005$  (.13) for three place decimals, and  $\pm 0.01$  (.3) for two place decimals.

**MATERIALS:**

**PLASTIC PARTS** - UL94V-0 thermoplastic (blue, standard) flame retardant.

**CONTACTS** - Phosphor bronze.

**CONTACT PLATING**- Selective gold plating, .000010 (min.) gold in mating area and .000100(min.) Tin Plating on the termination end, All over .000050 (min.) nickel.

**OPERATING STANDARDS:**

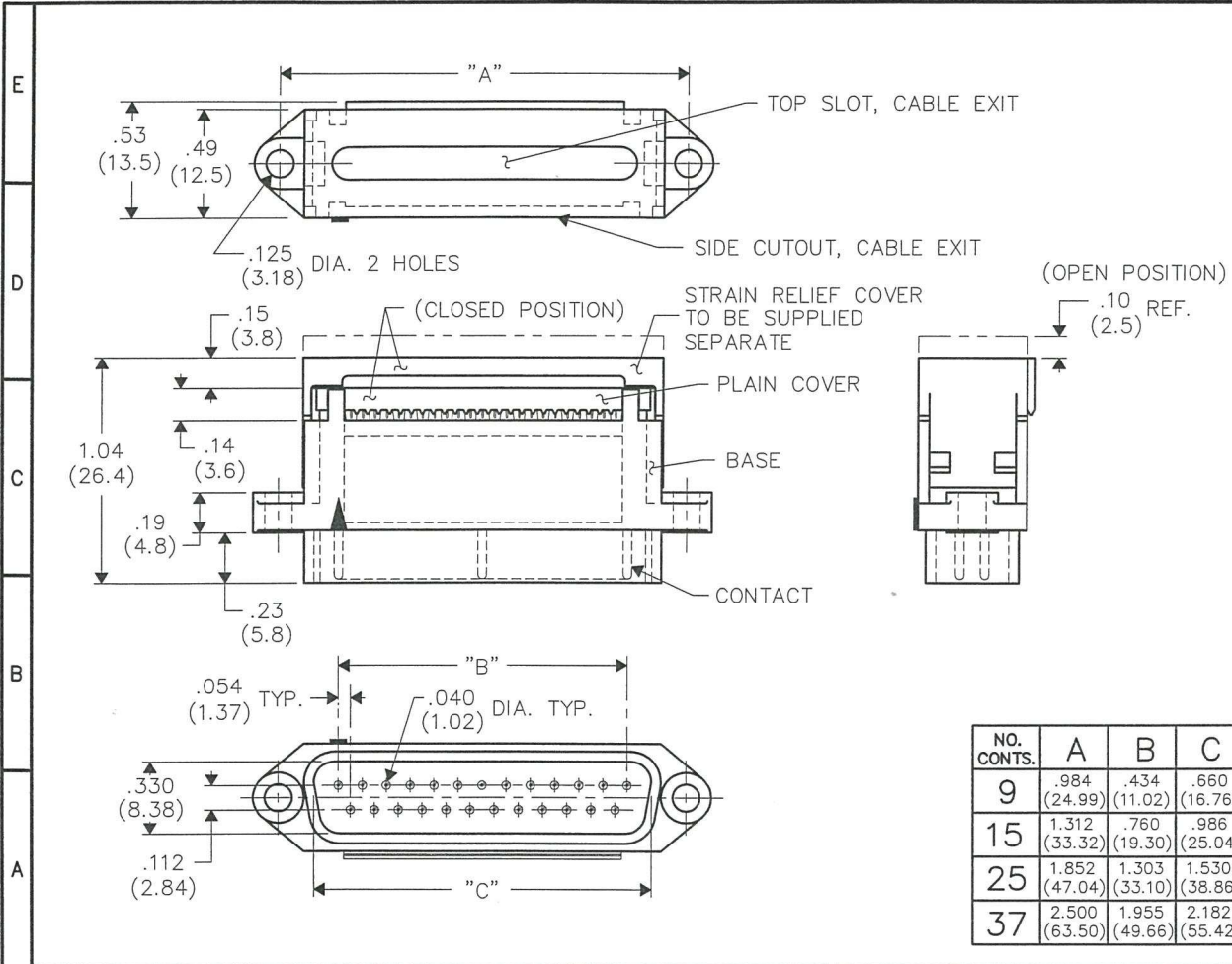
**TEMPERATURE RATING** - 120° C

**CONTACT RATING** - 1 ampere.

**DIELECTRIC STRENGTH** - Over 500V.D.C. at sea level.

**CONDUCTORS ACCEPTED** - 28-30 AWG solid or stranded.

**INSULATION RESISTANCE** - Greater than  $5 \times 10^9$  ohms.



**CUSTOMER DRAWING**

1	2	3	4	5	6	7	8	9	10
<p>B-FORMAT 2002</p> <p>REVISIONS</p> <p>RELEASED 12-03-2007 DWG DEC.05.2007</p>	<p><b>ATTENTION</b></p> <p>THIS DRAWING AND ITS ATTACHMENTS, IF ANY, ARE PROPRIETARY TO CW INDUSTRIES AND DESCRIBE DESIGNS THAT ARE CONFIDENTIAL AND MUST NOT BE DISCLOSED UNLESS AUTHORIZED, IN WRITING, BY AN OFFICER OF CW INDUSTRIES.....</p>					<p><b>CW INDUSTRIES</b> Southampton, Pa. 18966</p> <p>TOLERANCES UNLESS OTHERWISE SPECIFIED</p> <p>2 Place Decimal <math>\pm 0.010</math> METRIC 3 Place Decimal <math>\pm 0.005</math> 1 Place Dec. <math>\pm 0.25</math>mm Angles ..... <math>\pm 1^\circ</math> 2 Place Dec. <math>\pm 0.13</math>mm</p>		<p>Title: PLASTIC "D" CONNECTOR (RECEPTACLE) MALE CONTACTS</p> <p>Division: CONNECTOR</p>	
<p>Made for: CW IND.</p> <p>Drawn by: DGW 12-03-2007</p> <p>Checked by: G.Guld 12-04-07</p> <p>Approval: <i>A. Flynn</i> 12-4-7</p>							<p>Dwg. No. CWR-182-XX-0000</p>		

**MASTER**