

DIMENSIONS IN INCHES (MILLIMETERS)  
DO NOT SCALE DRAWING .....

Dwg. No.

CWR-183-XX-0000

**NOTES:**

1. Dimensions are in inches; dimensions in ( ) are millimeters.
2. Metric equivalents are given for general information only, and are based upon 1.00 inches equals (25.4) millimeters.
3. Unless otherwise specified, tolerances are  $\pm 0.005$  (.13) for three place decimals, and  $\pm 0.01$  (.3) for two place decimals.

**MATERIALS:**

PLASTIC PARTS - UL94V-0 thermoplastic (blue, standard) flame retardant.

CONTACTS - Phosphor bronze.

CONTACT PLATING- Selective gold plating, .000010 (min.) gold in mating area and .000100(min.) Tin-Lead on the termination end, All over .000050 (min.) nickel.

**OPERATING STANDARDS:**

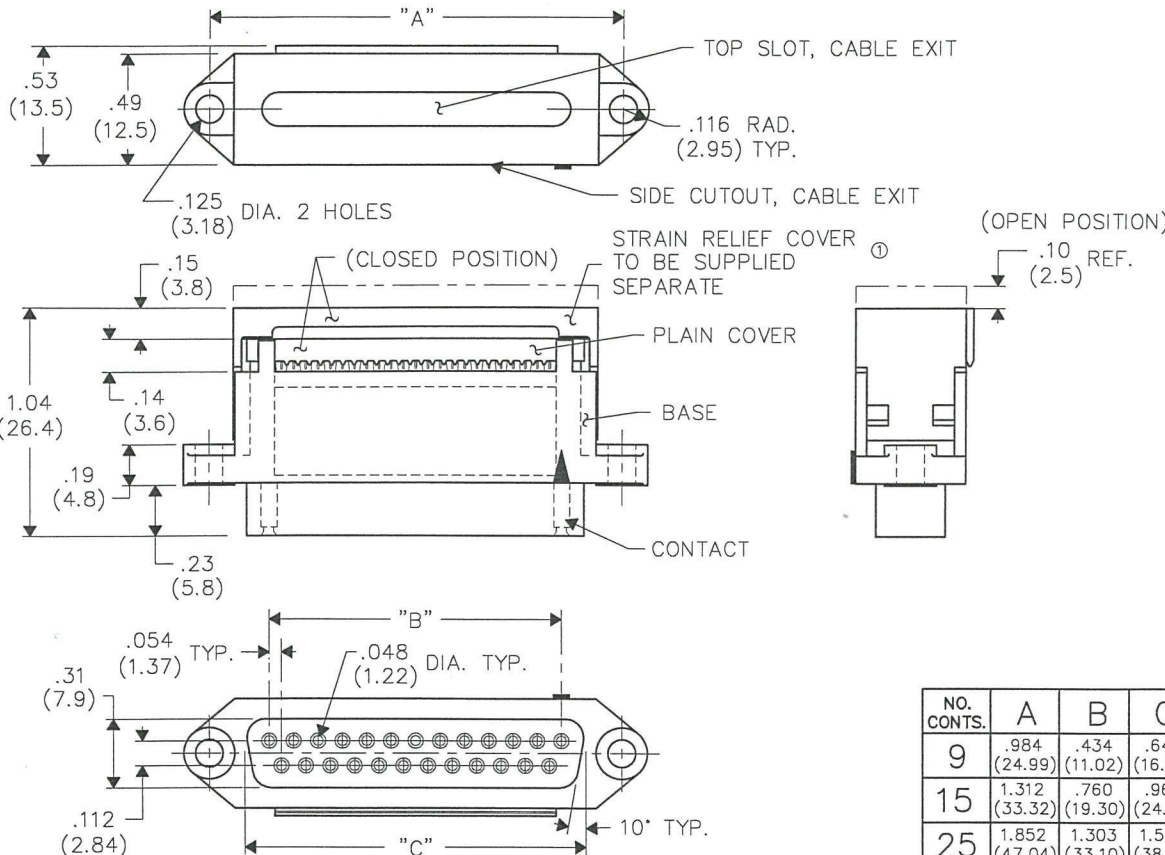
TEMPERATURE RATING - 120° C

CONTACT RATING - 1 ampere.

DIELECTRIC STRENGTH - Over 500V.D.C. at sea level.

CONDUCTORS ACCEPTED - 28-30 AWG solid or stranded.

INSULATION RESISTANCE - Greater than  $5 \times 10^9$  ohms.



NO. CONTS.	A	B	C
9	.984 (24.99)	.434 (11.02)	.640 (16.26)
15	1.312 (33.32)	.760 (19.30)	.966 (24.54)
25	1.852 (47.04)	1.303 (33.10)	1.510 (38.35)
37	2.500 (63.50)	1.955 (49.66)	2.162 (54.91)

**CUSTOMER DRAWING**

FORM-B	REVISIONS	0	1
		RELEASED DWG 10-16-95 REV 10-16-95 ADDED TO BE SUPPLIED SEPARATE TO STRAIN RELIEF COVER. DWG 12-03-2007 G.G. DEC 05 2007	

**ATTENTION**  
THIS DRAWING AND ITS ATTACHMENTS, IF ANY, ARE PROPRIETARY TO CW INDUSTRIES AND DESCRIBE DESIGNS THAT ARE CONFIDENTIAL AND MUST NOT BE DISCLOSED UNLESS AUTHORIZED, IN WRITING, BY AN OFFICER OF CW INDUSTRIES.....

**CW INDUSTRIES**  
Southampton, Pa. 18966

**TOLERANCES UNLESS OTHERWISE SPECIFIED**

2 Place decimal $\pm 0.010$	METRIC
3 Place decimal $\pm 0.005$	1 Place dec. $\pm 0.25$ mm
Angles ..... $\pm 1^\circ$	2 Place dec. $\pm 0.13$ mm

Made for: CW IND.

Drawn by: DGW 10-16-95

Checked by: G.GULD 10-18-95

Approval: A.HOSFIELD 10-19-95

Title: PLASTIC "D" CONNECTOR (PLUG) FEMALE CONTACTS

Division: CONNECTOR

Dwg. No. CWR-183-XX-0000

**MASTER**