

DIMENSIONS IN INCHES (MILLIMETERS)
DO NOT SCALE DRAWING

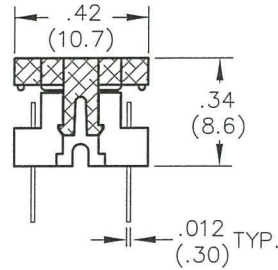
Dwg. No.

CWR-130-XX-0203

DIP CONNECTOR: (.300
(7.62) CENTERS)

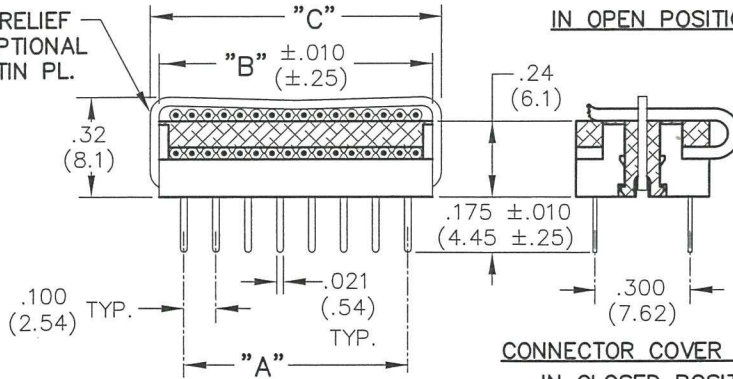
NOTCHED CORNER ORIENTS
No. 1 CONTACT LOCATION.
(16 CONTACT POSITIONS SHOWN; ALSO
AVAILABLE WITH 14 POSITIONS.)

TOP VIEW NO CABLE OR
STRAIN RELIEF SHOWN



CONNECTOR COVER SHOWN
IN OPEN POSITION

STRAIN RELIEF
STRAP—OPTIONAL
STEEL—TIN PL.



CONNECTOR COVER SHOWN
IN CLOSED POSITION

MATERIALS:

PLASTIC PARTS - UL94V-0 Thermoplastic (blue), flame retardant.
CONTACTS - Phosphor Bronze, Std.
CONTACT PLATING - 100 Sn (min.)/.000050 Ni (min.)

OPERATING STANDARDS:

TEMPERATURE RATING - 125°C.
CONTACT RATING - 1 Ampere.
DIELECTRIC STRENGTH - Over 500 V.D.C. AT SEA LEVEL.
CONDUCTORS ACCEPTED - 28-30 AWG solid or stranded.

CONNECTOR DIMENSIONS			
No. of Solder Posts	A	B	C
14	.60 (15.2)	.754 (19.2)	.81 (20.6)
16	.70 (17.8)	.854 (21.7)	.91 (23.1)

CUSTOMER DRAWING

1 2 3 4 5 6 7 8 9 10

B-FORMAT 2002
REVISIONS
0
RELEASED 9-20-2006
DVGW
OCT 02 2006

ATTENTION
THIS DRAWING AND ITS ATTACHMENTS, IF ANY, ARE PROPRIETARY TO CW INDUSTRIES AND DESCRIBE DESIGNS THAT ARE CONFIDENTIAL AND MUST NOT BE DISCLOSED UNLESS AUTHORIZED, IN WRITING, BY AN OFFICER OF CW INDUSTRIES.....

CW INDUSTRIES
Southampton, Pa. 18966

TOLERANCES UNLESS OTHERWISE SPECIFIED
2 Place Decimal ±.010 METRIC
3 Place Decimal ±.005 1 Place Dec. ±.25mm
Angles ±1' 2 Place Dec. ±.13mm

Title: DIP CONNECTOR
NO. CONTS. PER
CONN. DIM. CHART
W/.175" SOLDER POSTS

PDF FILE MADE
Made for: CW IND.
Drawn by: DVGW 9-20-2006
Checked by: *AGW 9-28-06*
Approved: *J. K. Layman 10-2-06*

Division: SWITCH
Dwg. No. CWR-130-XX-0203

MASTER