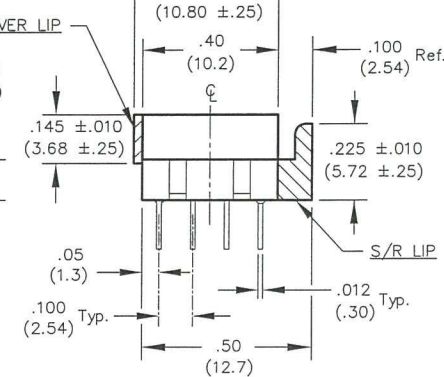
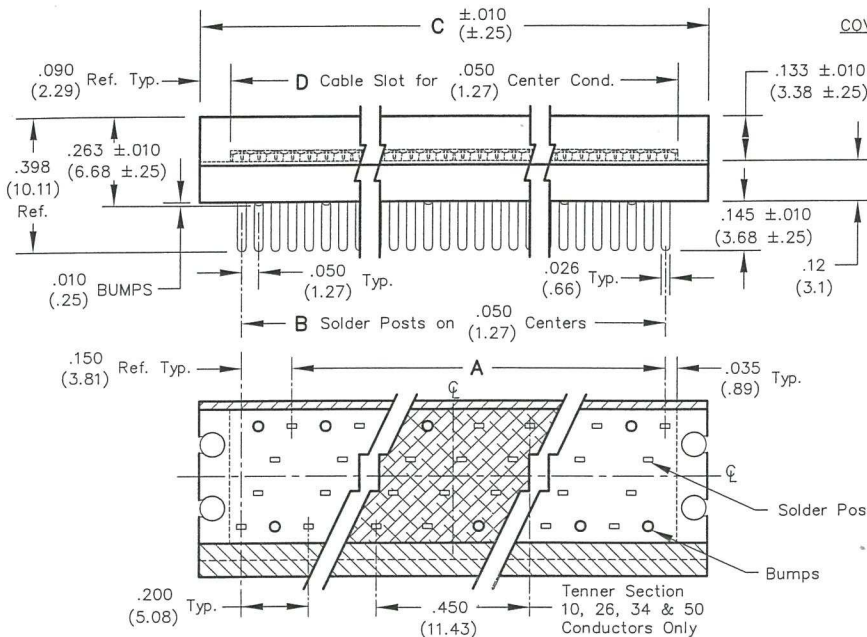


DIMENSIONS IN INCHES (MILLIMETERS)
DO NOT SCALE DRAWING

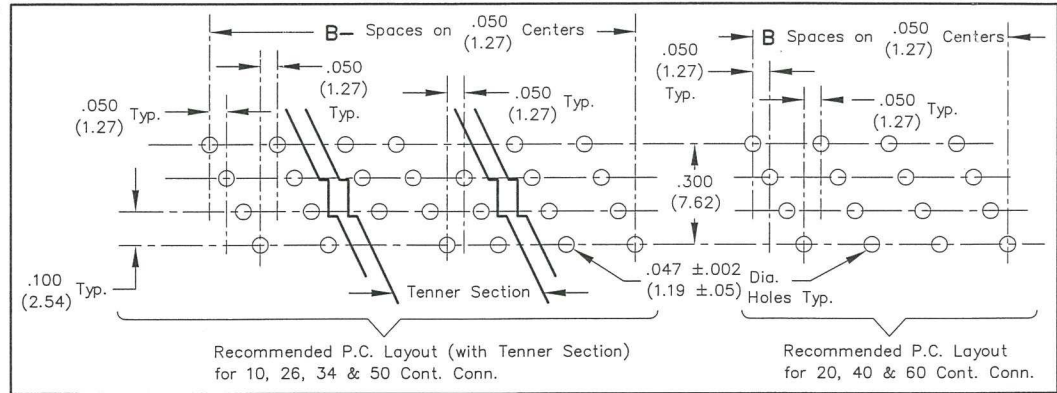
Dwg. No.

CWR-140-XX-0003



CONNECTOR DIMENSIONS				
No. Conts. -XX	A	B	C	D
10	—	.450 (11.43)	.700 (17.78)	.520 (13.21)
20	.800 (20.32)	.950 (24.13)	1.200 (30.48)	1.020 (25.91)
26	1.100 (27.94)	1.250 (31.75)	1.500 (38.10)	1.320 (33.53)
34	1.500 (38.10)	1.650 (41.91)	1.900 (48.26)	1.720 (43.69)
40	1.800 (45.72)	1.950 (49.53)	2.200 (55.88)	2.020 (51.31)
50	2.300 (58.42)	2.450 (62.23)	2.700 (68.58)	2.520 (64.01)
60	2.800 (71.12)	2.950 (74.93)	3.200 (81.28)	3.020 (76.71)

CUSTOMER DRAWING



MATERIALS:

PLASTIC PARTS - UL94V-0 Thermoplastic (blue),
flame retardant.
CONTACTS - Phosphor Bronze, Std.
CONTACT PLATING - Full Plating 100SnPb (min.)

OPERATING STANDARDS:

TEMPERATURE RATING - 120°C.
CONTACT RATING - 1 Ampere.
DIELECTRIC STRENGTH - Over 500 V.D.C. AT SEA LEVEL.
CONDUCTORS ACCEPTED - 28-30 AWG solid or stranded.

ATTENTION
THIS DRAWING AND ITS ATTACHMENTS, IF ANY, ARE PROPRIETARY TO CW INDUSTRIES AND DESCRIBE DESIGNS THAT ARE CONFIDENTIAL AND MUST NOT BE DISCLOSED UNLESS AUTHORIZED, IN WRITING, BY AN OFFICER OF CW INDUSTRIES.....

CW INDUSTRIES
Southampton, Pa. 18966

TOLERANCES UNLESS OTHERWISE SPECIFIED	
2 Place Decimal ±.010	METRIC
3 Place Decimal ±.005	1 Place Dec. ±.25mm
Angles ±1°	2 Place Dec. ±.13mm

Made for: CW IND.
Drawn by: DGW 2-07-2007
Checked by: B.G. Gold 2-7-07
Approval: C. Hummer 2/7/07

Title: P.C.B. CONNECTOR
.145 SOLDER POSTS
S/R & COVER LIPS

Division: SWITCH
Dwg. No. CWR-140-XX-0003

B-FORMAT 2002

REVISIONS

0
RELEASED 2-07-2007
DWG
C. Hummer 2/7/07

MASTER