

THIS INFORMATION IS CONFIDENTIAL AND PROPRIETARY TO CW INDUSTRIES INCORPORATED AND ITS AFFILIATES. IT MAY NOT BE DISCLOSED TO ANYONE OTHER THAN CW INDUSTRIES PERSONNEL, WITHOUT WRITTEN AUTHORIZATION FROM CW INDUSTRIES INCORPORATED, SOUTHAMPTON, PENNSYLVANIA USA.

E

D

C

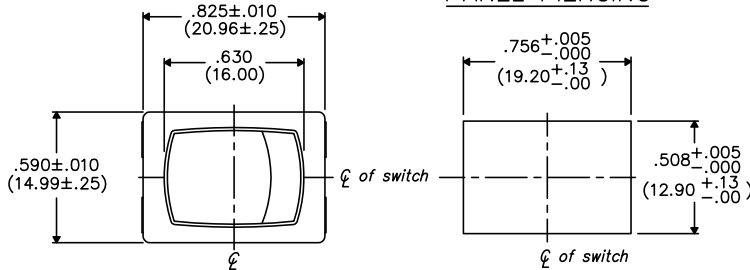
B

A

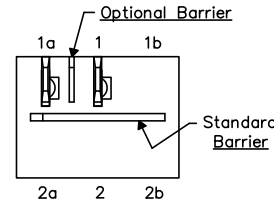
DIMENSIONS IN INCHES (MILLIMETERS)
DO NOT SCALE DRAWING

Dwg. No.
GRS-4011B-XXXX

PANEL PIERCING



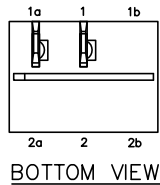
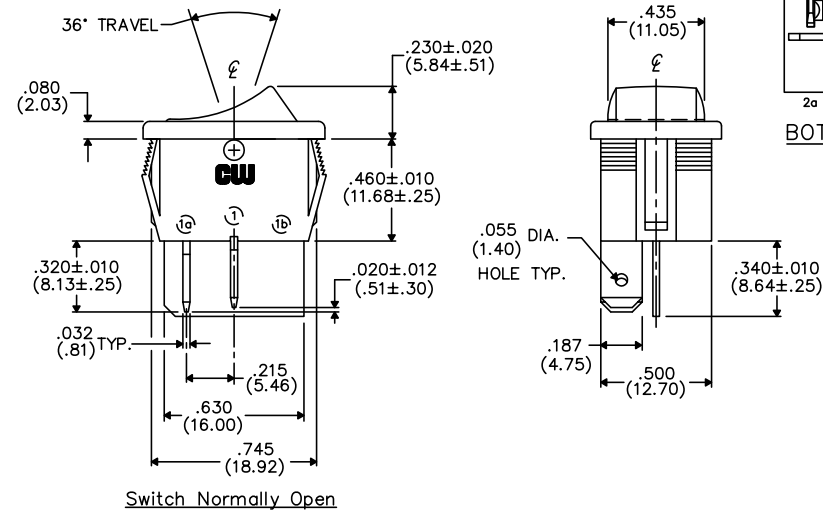
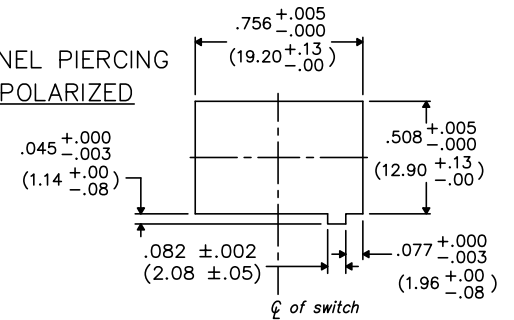
OPTIONAL INSULATING BARRIER



MOUNTING PANEL THICKNESS

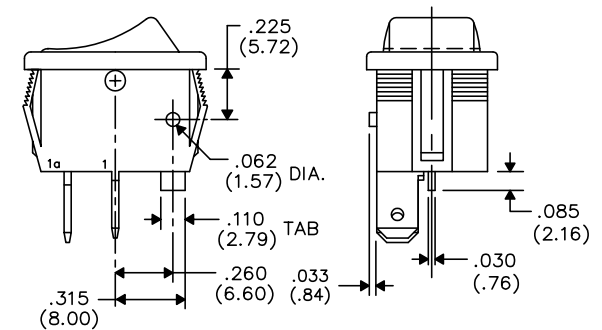
Standard—.050" (1.27mm) to .150" (3.81mm).
 Optional Mounting Claws for Custom Panel thickness are available.

PANEL PIERCING POLARIZED



TERMINAL OPTIONS:

- .187" (4.75mm) x .032" (.81mm) Solderless
- .110" (2.79mm) x .032" (.81mm) Solderless
- .187" (4.75mm) x .020" (.51mm) Solderless
- .110" (2.79mm) wide with .048" (1.22mm) x .237" (6.02mm) Slot for Soldering



TAB AND POLARIZATION OPTIONS

1 2 3 4 5 6 7 8 9 10

B-FORMAT 2002

REVISIONS

PDF FILE MADE	CW INDUSTRIES Southampton, Pa. 18966		Title: ROCKER SWITCH ASSEMBLY	
	TOLERANCES UNLESS OTHERWISE SPECIFIED		S.P./S.T. MOM.	
	2 Place Decimal ±.010	METRIC		
	3 Place Decimal ±.005	1 Place Dec. ±.25mm		
	Angles ±1°	2 Place Dec. ±.13mm		
Made for:	CW IND.	Division: SWITCH		
Drawn by:	DGW 10-28-2010	Dwg. No. GRS-4011B-XXXX		
Checked by:				
Approval:				