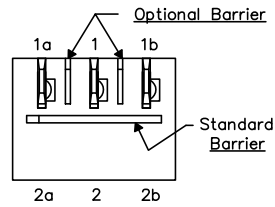


THIS INFORMATION IS CONFIDENTIAL AND PROPRIETARY TO CW INDUSTRIES INCORPORATED AND ITS AFFILIATES. IT MAY NOT BE DISCLOSED TO ANYONE OTHER THAN CW INDUSTRIES PERSONNEL, WITHOUT WRITTEN AUTHORIZATION FROM CW INDUSTRIES INCORPORATED, SOUTHAMPTON, PENNSYLVANIA USA.

DIMENSIONS IN INCHES (MILLIMETERS)  
DO NOT SCALE DRAWING .....

Dwg. No.  
**GRS-4012A-XXXX**

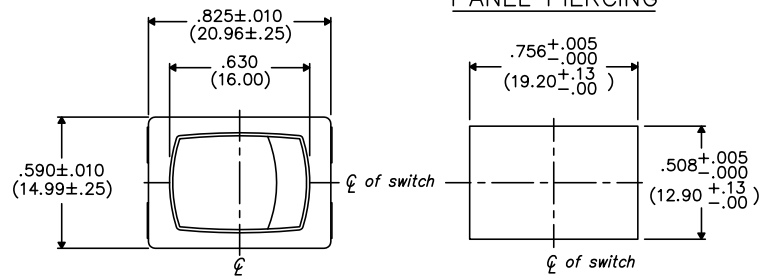
OPTIONAL INSULATING BARRIER



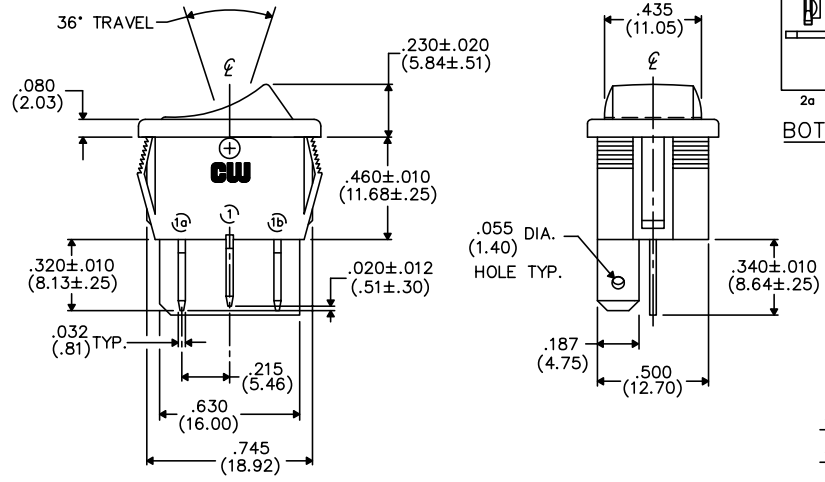
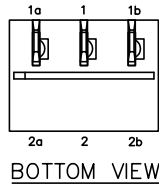
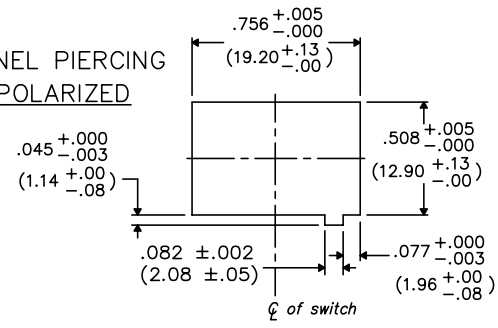
MOUNTING PANEL THICKNESS

Standard—.050" (1.27mm) to .150" (3.81mm).  
Optional Mounting Claws for Custom Panel thickness are available.

PANEL PIERCING

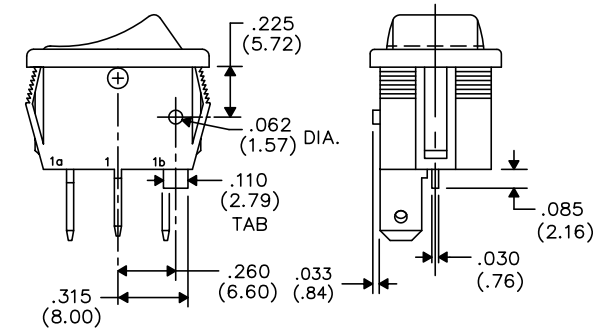


PANEL PIERCING POLARIZED



TERMINAL OPTIONS:

- .187" (4.75mm) x .032" (.81mm) Solderless
- .110" (2.79mm) x .032" (.81mm) Solderless
- .187" (4.75mm) x .020" (.51mm) Solderless
- .110" (2.79mm) wide with .048" (1.22mm) x .237" (6.02mm) Slot for Soldering



TAB AND POLARIZATION OPTIONS

B-FORMAT 2002	REVISIONS									

PDF FILE MADE	<b>CW INDUSTRIES</b> Southampton, Pa. 18966		Title: <b>ROCKER SWITCH ASSEMBLY</b> S.P./D.T. MOM.	
	TOLERANCES UNLESS OTHERWISE SPECIFIED			
	2 Place Decimal ±.010		METRIC	
	3 Place Decimal ±.005		1 Place Dec. ±.25mm	
	Angles ..... ±1°		2 Place Dec. ±.13mm	
Made for: CW IND.		Division: SWITCH		
Drawn by: DGW 10-28-2010		Dwg. No. GRS-4012A-XXXX		
Checked by:				
Approval:				