

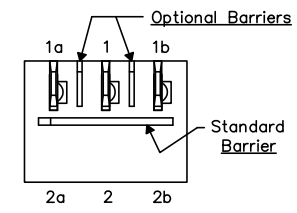
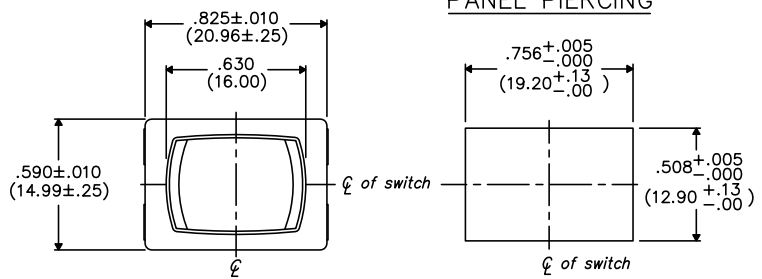
THIS INFORMATION IS CONFIDENTIAL AND PROPRIETARY TO CW INDUSTRIES INCORPORATED AND ITS AFFILIATES. IT MAY NOT BE DISCLOSED TO ANYONE OTHER THAN CW INDUSTRIES PERSONNEL, WITHOUT WRITTEN AUTHORIZATION FROM CW INDUSTRIES INCORPORATED, SOUTHAMPTON, PENNSYLVANIA USA.

DIMENSIONS IN INCHES (MILLIMETERS)  
DO NOT SCALE DRAWING .....

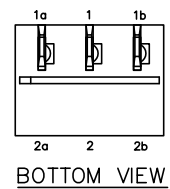
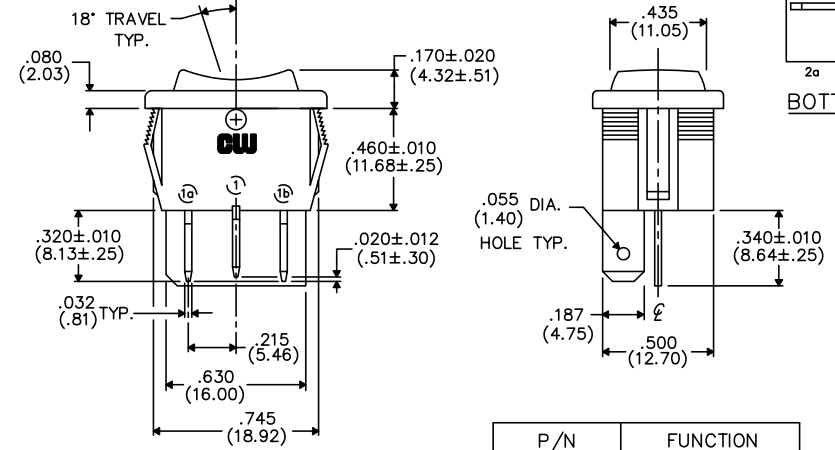
Dwg. No.  
GRS-4013A,B,C,-XXXX

**PANEL PIERCING**

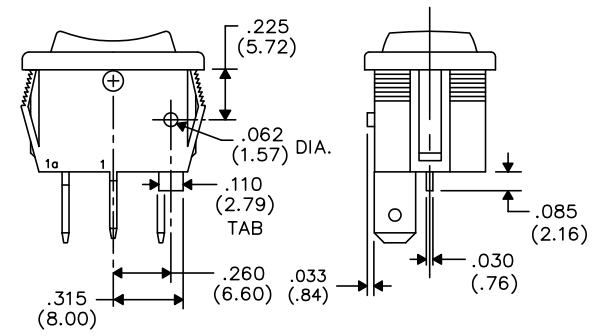
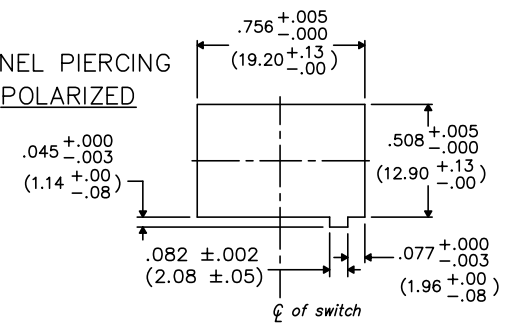
**OPTIONAL INSULATING BARRIER**



**MOUNTING PANEL THICKNESS**  
Standard—.050" (1.27mm) to .150" (3.81mm).  
Optional Mounting Claws for Custom Panel thickness are available.



**PANEL PIERCING POLARIZED**



P/N	FUNCTION
GRS-4013A	Double Throw On-Off-On
GRS-4013B	Double Throw On-Off-(On)
GRS-4013C	Double Throw (On)-Off-(On)

**TERMINAL OPTIONS:**  
 .187" (4.75mm) x .032" (.81mm) Solderless  
 .110" (2.79mm) x .032" (.81mm) Solderless  
 .187" (4.75mm) x .020" (.51mm) Solderless  
 .110" (2.79mm) wide with .048" (1.22mm) x .237" (6.02mm) Slot for Soldering

( ) = Momentary Function

B-FORMAT 2002	REVISIONS	1	2	3	4	5	6	7	8	9	10

PDF FILE MADE	<b>CW INDUSTRIES</b> Southampton, Pa. 18966	Title: <b>ROCKER SWITCH ASSEMBLY S.P./D.T.</b>
	TOLERANCES UNLESS OTHERWISE SPECIFIED	
	2 Place Decimal ±.010 METRIC	
	3 Place Decimal ±.005 1 Place Dec. ±.25mm	
	Angles ..... ±1° 2 Place Dec. ±.13mm	
Made for: CW IND.	Division: SWITCH	
Drawn by: DGW 10-28-2010	Dwg. No. GRS-4013A,B,C-XXXX	
Checked by:		
Approval:		