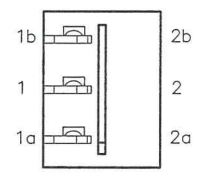
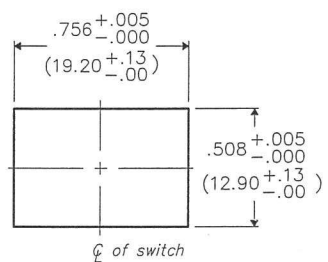
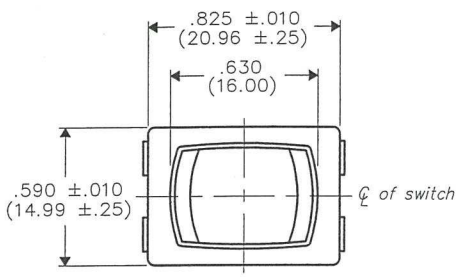


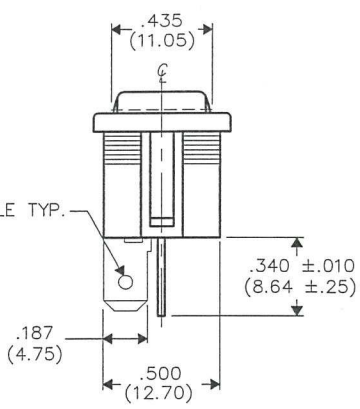
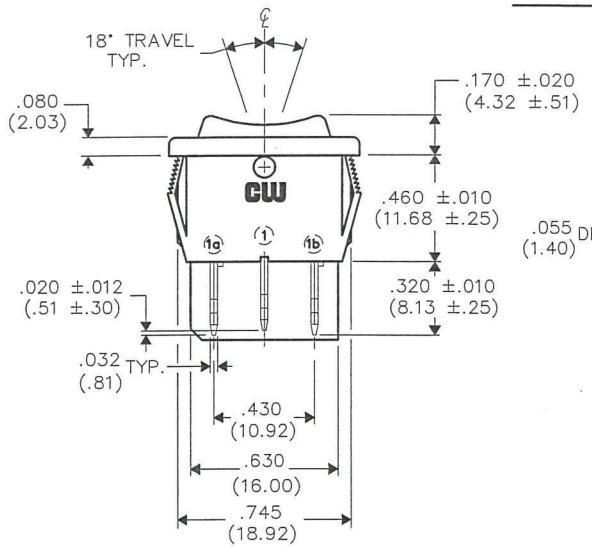
THIS INFORMATION IS CONFIDENTIAL AND PROPRIETARY TO CW INDUSTRIES INCORPORATED AND ITS AFFILIATES. IT MAY NOT BE DISCLOSED TO ANYONE OTHER THAN CW INDUSTRIES PERSONNEL, WITHOUT WRITTEN AUTHORIZATION FROM CW INDUSTRIES INCORPORATED, SOUTHAMPTON, PENNSYLVANIA USA.

DIMENSIONS IN INCHES (MILLIMETERS)
 DO NOT SCALE DRAWING
 Dwg. No. **GRS-4013A-0008**



PANEL PIERCING

BOTTOM VIEW



UL & CSA LISTED:

13A 125VAC 10A 250VAC
 1/2 H.P. 125-250VAC 5A 14V(T)

MATERIALS:

BUTTON - NYLON 6/6 94V-2 COLOR, RED
 HOUSING - NYLON 6/6 94V-2 COLOR, BLACK
 TERMINAL & MOVING CONTACT - COPPER ALLOY

B-FORMAT 2002	0									PDF MADE																																										
	1																																																			
	REVISIONS RELEASED: DGW 10-06-94 OCT. 7, 1994 REDRAWN, UPDATED WITH NEW FORMAT. DGW 2-25-2013 FEB 26 2013																																																			
	<table border="1" style="width: 100%;"> <tr> <td colspan="2" style="text-align: center;">cw INDUSTRIES</td> <td colspan="2">Title: ASSEMBLY</td> </tr> <tr> <td colspan="2" style="text-align: center;">Southampton, Pa. 18966</td> <td colspan="2">ROCKER SWIDGET</td> </tr> <tr> <td colspan="4" style="text-align: center;">S.P.- CENTER OFF</td> </tr> <tr> <td colspan="4" style="text-align: center;">(ON-OFF-ON)</td> </tr> <tr> <td colspan="2">TOLERANCES UNLESS OTHERWISE SPECIFIED</td> <td colspan="2">METRIC</td> </tr> <tr> <td>2 Place Decimal ±.010</td> <td>1 Place Dec. ±.25mm</td> <td colspan="2"></td> </tr> <tr> <td>3 Place Decimal ±.005</td> <td>2 Place Dec. ±.13mm</td> <td colspan="2"></td> </tr> <tr> <td>Angles ±1°</td> <td colspan="3"></td> </tr> <tr> <td>Made for: CW IND.</td> <td colspan="2">Division: SWITCH</td> <td></td> </tr> <tr> <td>Drawn by: DGW 10-06-94</td> <td colspan="3">Dwg. No. GRS-4013A-0008</td> </tr> <tr> <td>Checked by: <i>B. Gold 2-26-13</i></td> <td colspan="3">Approval: <i>C. Henn 2/24/13</i></td> </tr> </table>										cw INDUSTRIES		Title: ASSEMBLY		Southampton, Pa. 18966		ROCKER SWIDGET		S.P.- CENTER OFF				(ON-OFF-ON)				TOLERANCES UNLESS OTHERWISE SPECIFIED		METRIC		2 Place Decimal ±.010	1 Place Dec. ±.25mm			3 Place Decimal ±.005	2 Place Dec. ±.13mm			Angles ±1°				Made for: CW IND.	Division: SWITCH			Drawn by: DGW 10-06-94	Dwg. No. GRS-4013A-0008			Checked by: <i>B. Gold 2-26-13</i>	Approval: <i>C. Henn 2/24/13</i>
cw INDUSTRIES		Title: ASSEMBLY																																																		
Southampton, Pa. 18966		ROCKER SWIDGET																																																		
S.P.- CENTER OFF																																																				
(ON-OFF-ON)																																																				
TOLERANCES UNLESS OTHERWISE SPECIFIED		METRIC																																																		
2 Place Decimal ±.010	1 Place Dec. ±.25mm																																																			
3 Place Decimal ±.005	2 Place Dec. ±.13mm																																																			
Angles ±1°																																																				
Made for: CW IND.	Division: SWITCH																																																			
Drawn by: DGW 10-06-94	Dwg. No. GRS-4013A-0008																																																			
Checked by: <i>B. Gold 2-26-13</i>	Approval: <i>C. Henn 2/24/13</i>																																																			

MASTER