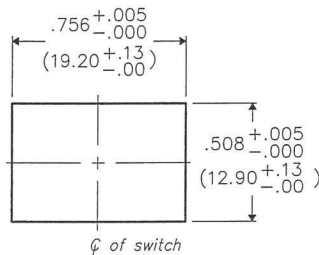
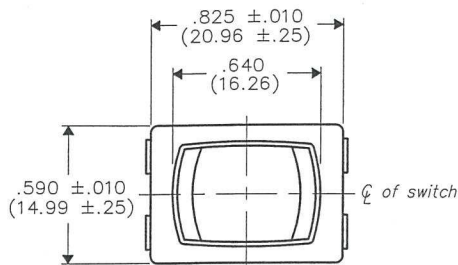


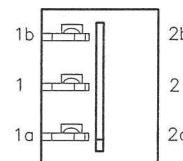
THIS INFORMATION IS CONFIDENTIAL AND PROPRIETARY TO CW INDUSTRIES INCORPORATED AND ITS AFFILIATES. IT MAY NOT BE DISCLOSED TO ANYONE, OTHER THAN CW INDUSTRIES PERSONNEL, WITHOUT WRITTEN AUTHORIZATION FROM CW INDUSTRIES INCORPORATED, SOUTHAMPTON, PENNSYLVANIA USA.

DIMENSIONS IN INCHES (MILLIMETERS)
DO NOT SCALE DRAWING

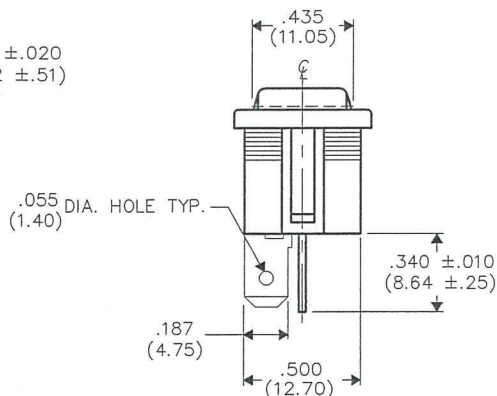
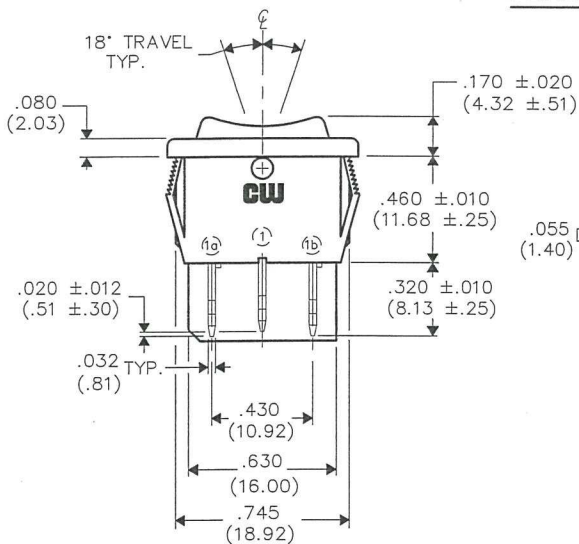
Dwg. No.
GRS-4013C-0001



PANEL PIERCING



BOTTOM VIEW



UL & CSA LISTED:

- 8A 125VAC
- 4A 250VAC
- 3A 277VAC

MATERIALS:

BUTTON & HOUSING - NYLON 6/6 94V-2, COLOR/BLACK
TERMINAL & MOVING CONTACT - COPPER ALLOY

1 2 3 4 5 6 7 8 9 10

B-FORMAT 2002	REVISIONS	0	RELEASED DWG 2-25-13 FEC 2 6 2013	cw INDUSTRIES Southampton, Pa. 18966				Title: ASSEMBLY ROCKER SWIDGET S.P.- CENTER OFF (MOM.-OFF-MOM.)						
		TOLERANCES UNLESS OTHERWISE SPECIFIED												
		2 Place Decimal ±.010										METRIC		
		3 Place Decimal ±.005										1 Place Dec. ±.25mm		
		Angles ±1'										2 Place Dec. ±.13mm		
Made for: CW IND.		Division: SWITCH		Dwg. No. GRS-4013C-0001										
Drawn by: DGW 2-25-13		Checked by: <i>G. Guld 2-26-13</i>				Approval: <i>C. H... 2/26/13</i>								

MASTER