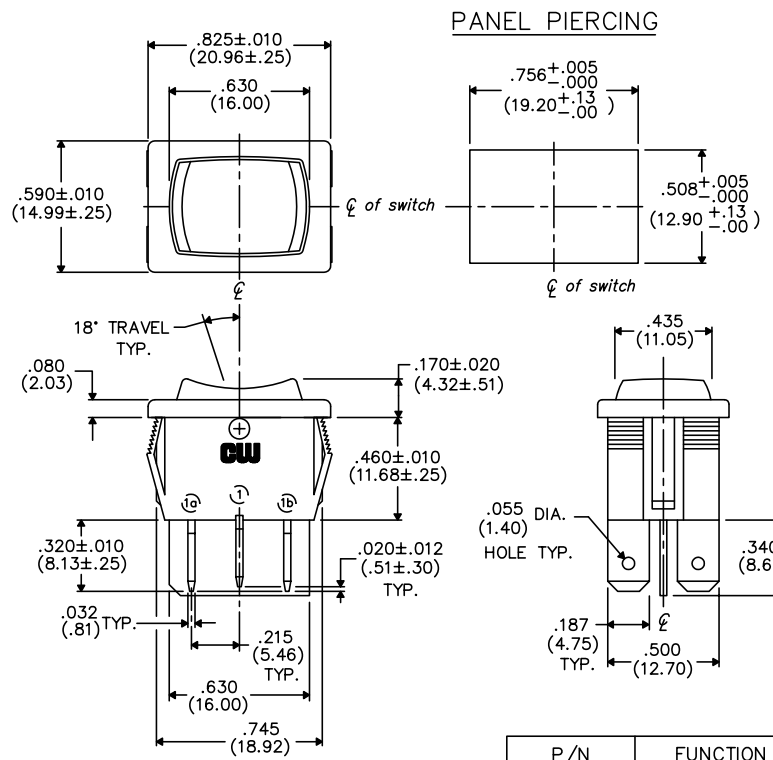


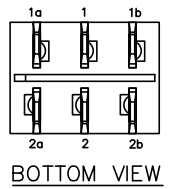
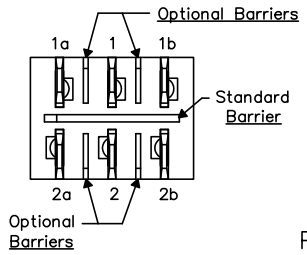
THIS INFORMATION IS CONFIDENTIAL AND PROPRIETARY TO CW INDUSTRIES INCORPORATED AND ITS AFFILIATES. IT MAY NOT BE DISCLOSED TO ANYONE OTHER THAN CW INDUSTRIES PERSONNEL, WITHOUT WRITTEN AUTHORIZATION FROM CW INDUSTRIES INCORPORATED, SOUTHAMPTON, PENNSYLVANIA USA.

B-FORMAT 2002
 REVISIONS



PANEL PIERCING

OPTIONAL INSULATING BARRIER



BOTTOM VIEW

P/N	FUNCTION
GRS-4023A	Double Throw On-Off-On
GRS-4023B	Double Throw On-Off-(On)
GRS-4023C	Double Throw (On)-Off-(On)

TERMINAL OPTIONS:
 .187" (4.75mm) x .032" (.81mm) Solderless
 .110" (2.79mm) x .032" (.81mm) Solderless
 .187" (4.75mm) x .020" (.51mm) Solderless
 .110" (2.79mm) wide with .048" (1.22mm) x .237" (6.02mm) Slot for Soldering

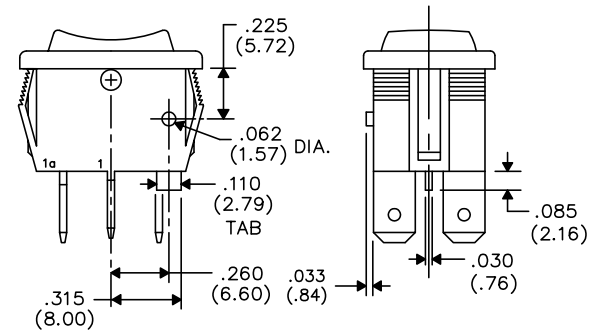
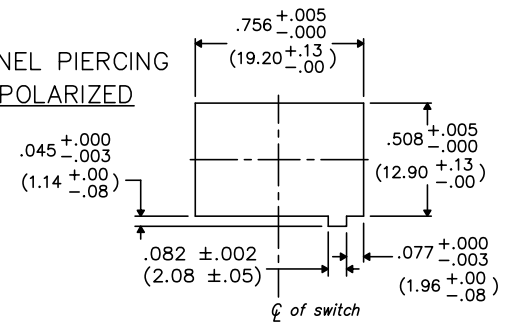
DIMENSIONS IN INCHES (MILLIMETERS)
 DO NOT SCALE DRAWING

Dwg. No.
GRS-4023A,B,C,-XXXX

MOUNTING PANEL THICKNESS

Standard-.050" (1.27mm) to .150" (3.81mm).
 Optional Mounting Claws for Custom Panel thickness are available.

PANEL PIERCING POLARIZED



TAB AND POLARIZATION OPTIONS

PDF FILE MADE	CW INDUSTRIES Southampton, Pa. 18966		Title: ROCKER SWITCH ASSEMBLY D.P./D.T.
	TOLERANCES UNLESS OTHERWISE SPECIFIED		
	2 Place Decimal ±.010	METRIC	Division: SWITCH
	3 Place Decimal ±.005	1 Place Dec. ±.25mm	
	Angles ±1°	2 Place Dec. ±.13mm	Dwg. No. GRS-4023A,B,C,-XXXX
Made for: CW IND.	Drawn by: DGW 10-28-2010	Approval:	

1 2 3 4 5 6 7 8 9 10