

THIS INFORMATION IS CONFIDENTIAL AND PROPRIETARY TO CW INDUSTRIES INCORPORATED AND ITS AFFILIATES. IT MAY NOT BE DISCLOSED TO ANYONE OTHER THAN CW INDUSTRIES PERSONNEL, WITHOUT WRITTEN AUTHORIZATION FROM CW INDUSTRIES INCORPORATED, SOUTHAMPTON, PENNSYLVANIA USA.

E

D

C

B

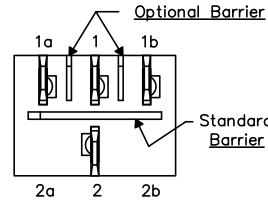
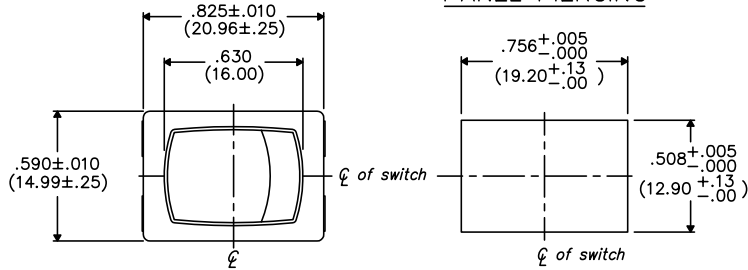
A

DIMENSIONS IN INCHES (MILLIMETERS)
DO NOT SCALE DRAWING

Dwg. No.
GRL-4012-XXXX

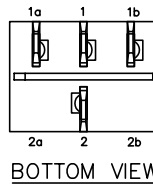
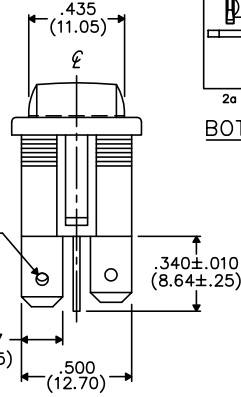
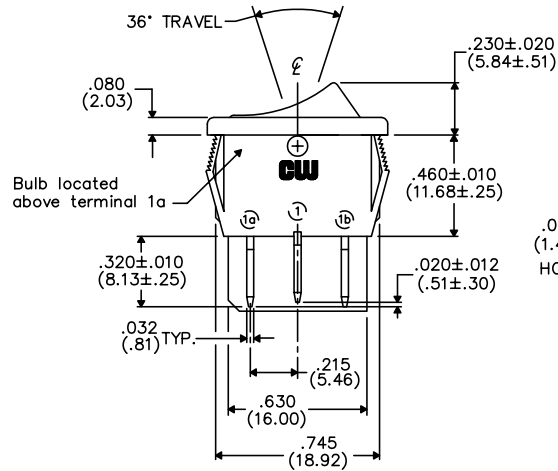
PANEL PIERCING

OPTIONAL INSULATING BARRIER



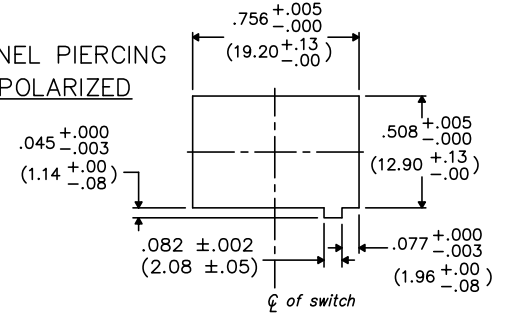
MOUNTING PANEL THICKNESS

Standard-.050" (1.27mm) to .150" (3.81mm).
Optional Mounting Claws for Custom Panel thickness are available.



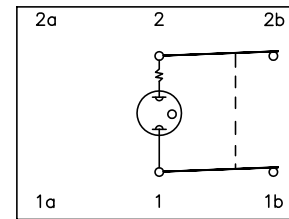
BOTTOM VIEW

PANEL PIERCING POLARIZED

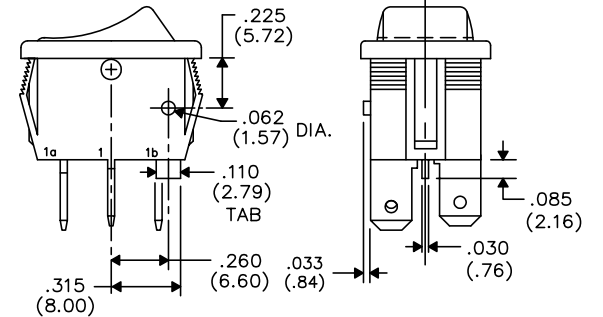


TERMINAL OPTIONS:

- .187" (4.75mm) x .032" (.81mm) Solderless
- .110" (2.79mm) x .032" (.81mm) Solderless
- .187" (4.75mm) x .020" (.51mm) Solderless
- .110" (2.79mm) wide with .048" (1.22mm) x .237" (6.02mm) Slot for Soldering



WIRING DIAGRAM SHOWING INTERNAL LAMP CONNECTIONS.



TAB AND POLARIZATION OPTIONS

1 2 3 4 5 6 7 8 9 10

B-FORMAT 2002

REVISIONS

CW INDUSTRIES
Southampton, Pa. 18966

Title: **LIGHTED
ROCKER SWITCH
ASSEMBLY
S.P./D.T.**

TOLERANCES UNLESS OTHERWISE SPECIFIED
2 Place Decimal ±.010 METRIC
3 Place Decimal ±.005 1 Place Dec. ±.25mm
Angles ±1° 2 Place Dec. ±.13mm

Made for: CW IND.
Drawn by: DGW 10-28-2010
Checked by:
Approval:

Division: SWITCH
Dwg. No. GRL-4012-XXXX