
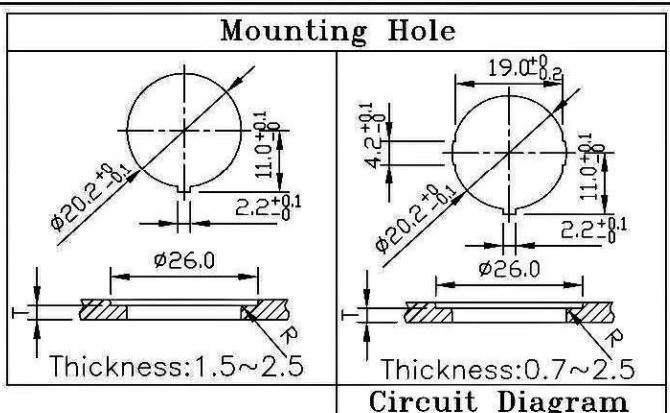
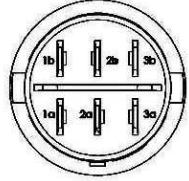
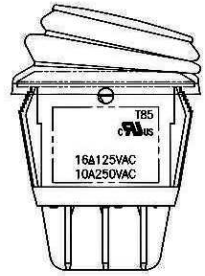
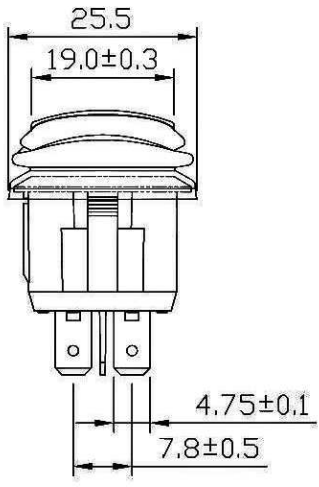
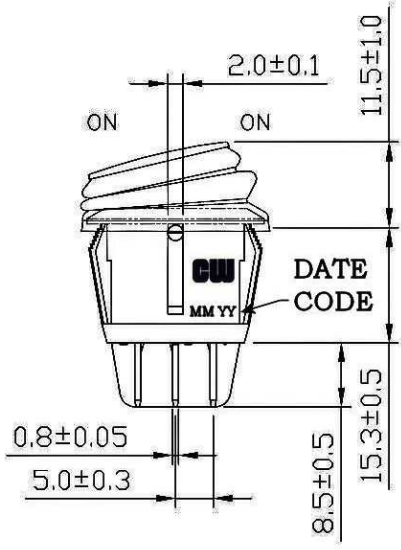
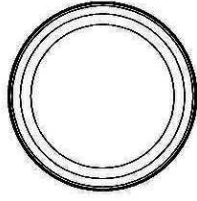
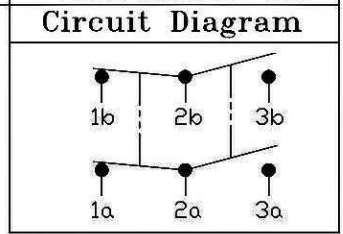


THIS INFORMATION IS CONFIDENTIAL AND PROPRIETARY TO CW INDUSTRIES INCORPORATED AND ITS AFFILIATES. IT MAY NOT BE DISCLOSED TO ANYONE, OTHER THAN CW INDUSTRIES PERSONNEL, WITHOUT WRITTEN AUTHORIZATION FROM CW INDUSTRIES INCORPORATED, SOUTHAMPTON, PENNSYLVANIA USA.

Rating	16A 125VAC	
	10A 250VAC	
Contact Resistance	50m ohm Max.	
Insulation Resistance	DC 500V 100M ohm Min.	
Dielectric Strength	AC 2500V 1 minute	
Operation Temp.	- 25 ° C ~ 85 ° C	
Function	6P DPDT ON - ON	



Frame: Black, Nylon 66 (94-V2)
 Actuator: Black, PC (94-V2)
 Waterproof rubber: Black, Silicone
 Terminals: Silver plated, Copper alloy
 Printed: None
 Waterproof: IP65



RoHS Compliant

2 Added date code. 1/28/11.


INDUSTRIES
 Southampton, Pa. 18966
 Tel 215.355.7080/www.cwind.com

Date Drawn: 1/28/11

Rev. 2

Unit: mm

Checked By: G.Guld

Title: **ROCKER SWITCH**

CW P/N: **GRB244C802BB**