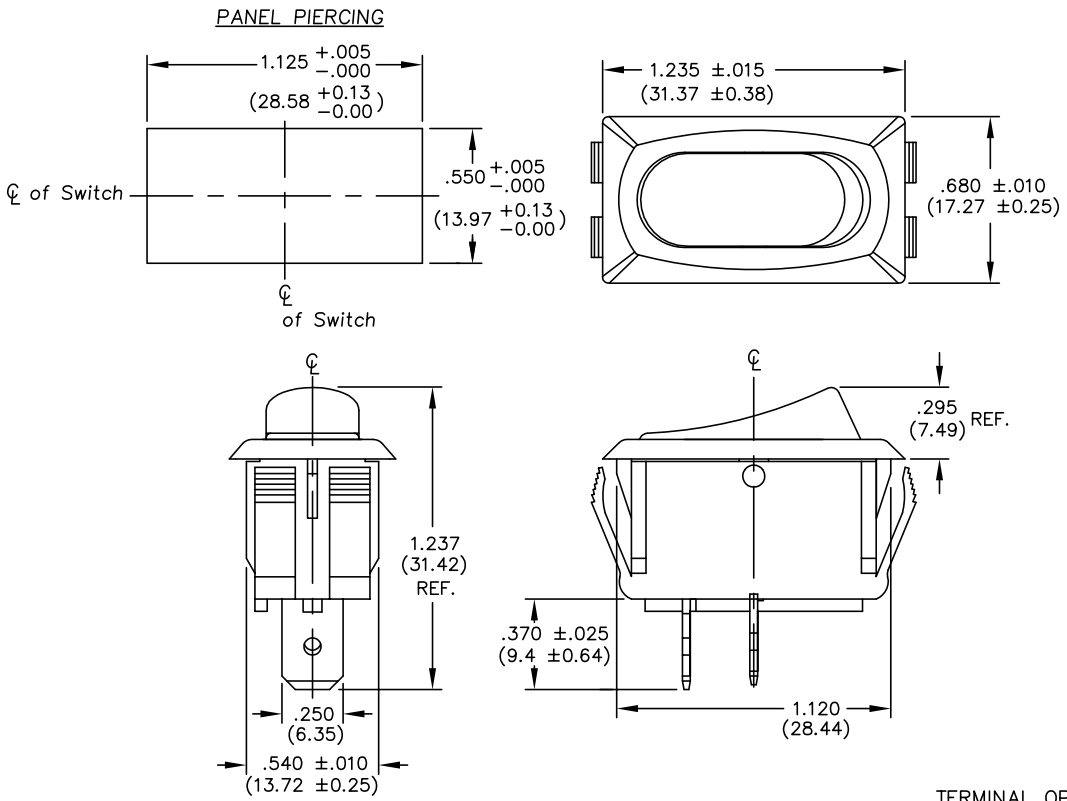


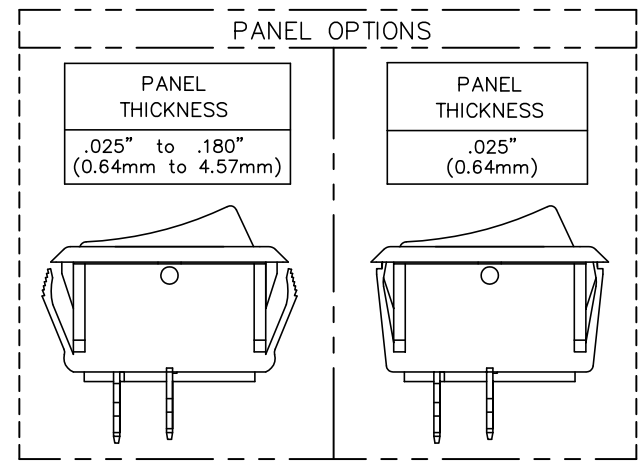
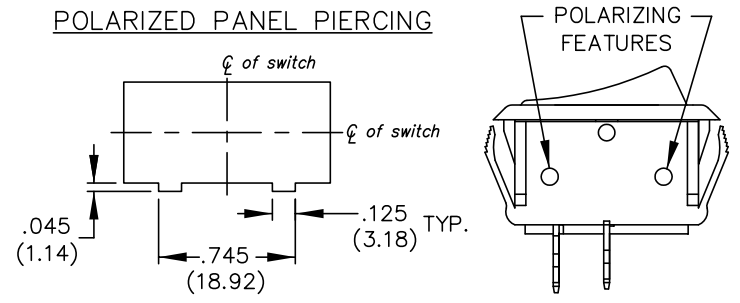
THIS INFORMATION IS CONFIDENTIAL AND PROPRIETARY TO CW INDUSTRIES INCORPORATED AND ITS AFFILIATES. IT MAY NOT BE DISCLOSED TO ANYONE OTHER THAN CW INDUSTRIES PERSONNEL, WITHOUT WRITTEN AUTHORIZATION FROM CW INDUSTRIES INCORPORATED, SOUTHAMPTON, PENNSYLVANIA USA.

DIMENSIONS IN INCHES (MILLIMETERS)
DO NOT SCALE DRAWING

Dwg. No.
GRS-2011-24XX



POLARIZED OPTION



TERMINAL OPTIONS:

- .250" Wide Terminal is standard. (As Shown in Drawing)
- .187" Wide Terminal is optional.

(MATTE FINISH)

B-FORMAT 2002	REVISIONS	1	2	3	4	5	6	7

PDF FILE MADE	CW INDUSTRIES Southampton, Pa. 18966	Title: ROCKER SWITCH S.P.S.T. ASSEMBLY STYLE LINE 1.125" x .550" PANEL
	TOLERANCES UNLESS OTHERWISE SPECIFIED 2 Place Decimal ± 0.010 METRIC 3 Place Decimal ± 0.005 1 Place Dec. ± 0.25 mm Angles $\pm 1^\circ$ 2 Place Dec. ± 0.13 mm	Division: SWITCH
	Made for: CW IND.	Dwg. No. GRS-2011-24XX
	Drawn by: DGW 6-16-2010	
	Checked by: Approval:	