

THIS INFORMATION IS CONFIDENTIAL AND PROPRIETARY TO CW INDUSTRIES INCORPORATED AND ITS AFFILIATES. IT MAY NOT BE DISCLOSED TO ANYONE OTHER THAN CW INDUSTRIES PERSONNEL. WITHOUT WRITTEN AUTHORIZATION FROM CW INDUSTRIES INCORPORATED, SOUTHAMPTON, PENNSYLVANIA USA.

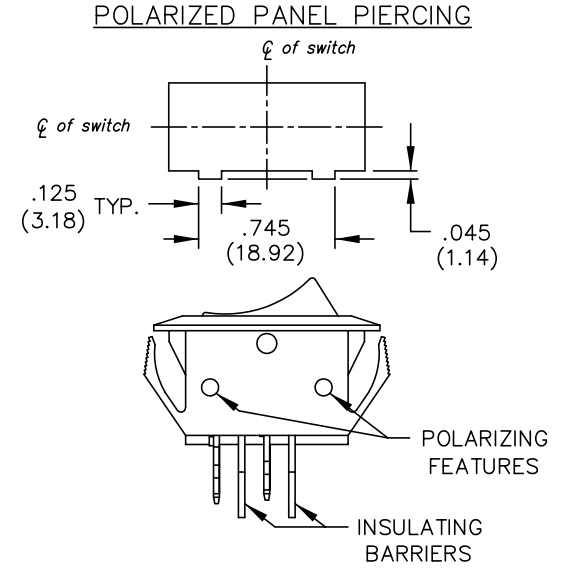
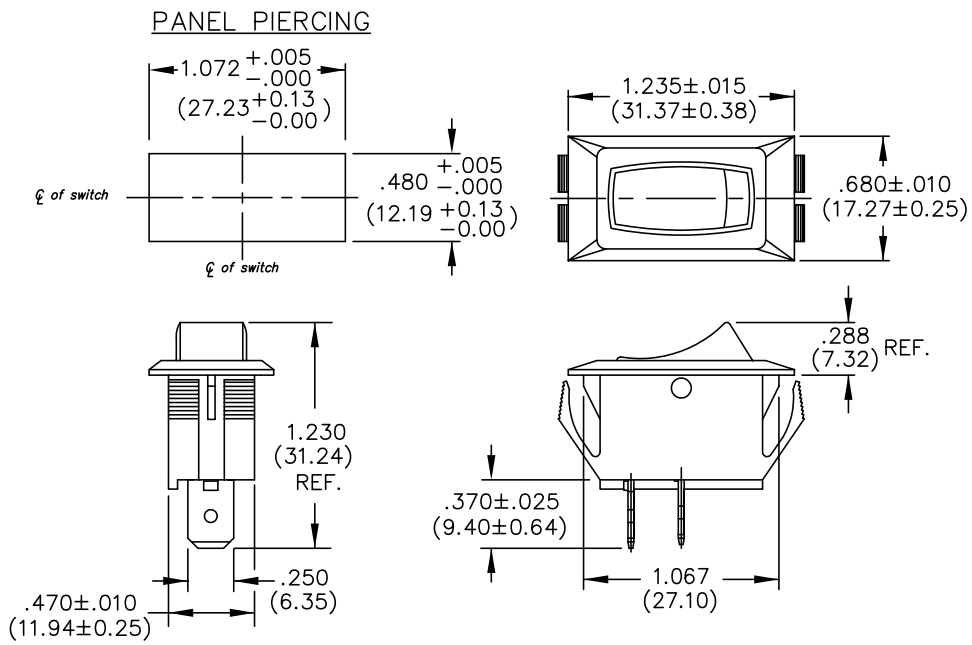
A B C D E

DIMENSIONS IN INCHES (MILLIMETERS)  
DO NOT SCALE DRAWING .....

Dwg. No.  
GRS-2011-3XXX

PANEL THICKNESS  
.025" to .180"  
(0.64mm to 4.57mm)

OPTIONS:



TERMINAL OPTIONS:

.250" Wide Terminal is standard as Shown in drawing.  
.187" Wide Terminal is optional.

1      2      3      4      5      6      7      8      9      10																										
B-FORMAT 2002 REVISIONS								<b>CW INDUSTRIES</b> Southampton, Pa. 18966		Title: ROCKER SWITCH NARROW BODY ASSEMBLY S.P.S.T. WITH OPTIONS 1.072" x .480" PANEL																
								<table border="1"> <tr> <th colspan="2">TOLERANCES UNLESS OTHERWISE SPECIFIED</th> <th colspan="2">METRIC</th> </tr> <tr> <td>2 Place Decimal ±.010</td> <td></td> <td>1 Place Dec. ±.25mm</td> <td></td> </tr> <tr> <td>3 Place Decimal ±.005</td> <td></td> <td>2 Place Dec. ±.13mm</td> <td></td> </tr> <tr> <td>Angles ..... ±'</td> <td></td> <td></td> <td></td> </tr> </table>		TOLERANCES UNLESS OTHERWISE SPECIFIED		METRIC		2 Place Decimal ±.010		1 Place Dec. ±.25mm		3 Place Decimal ±.005		2 Place Dec. ±.13mm		Angles ..... ±'				Division: SWITCH
	TOLERANCES UNLESS OTHERWISE SPECIFIED		METRIC																							
	2 Place Decimal ±.010		1 Place Dec. ±.25mm																							
3 Place Decimal ±.005		2 Place Dec. ±.13mm																								
Angles ..... ±'																										
							Made for: CW IND.		Dwg. No. GRS-2011-3XXX																	
							Drawn by: DGW 6-16-2010																			
							Checked by:																			
							Approval:																			