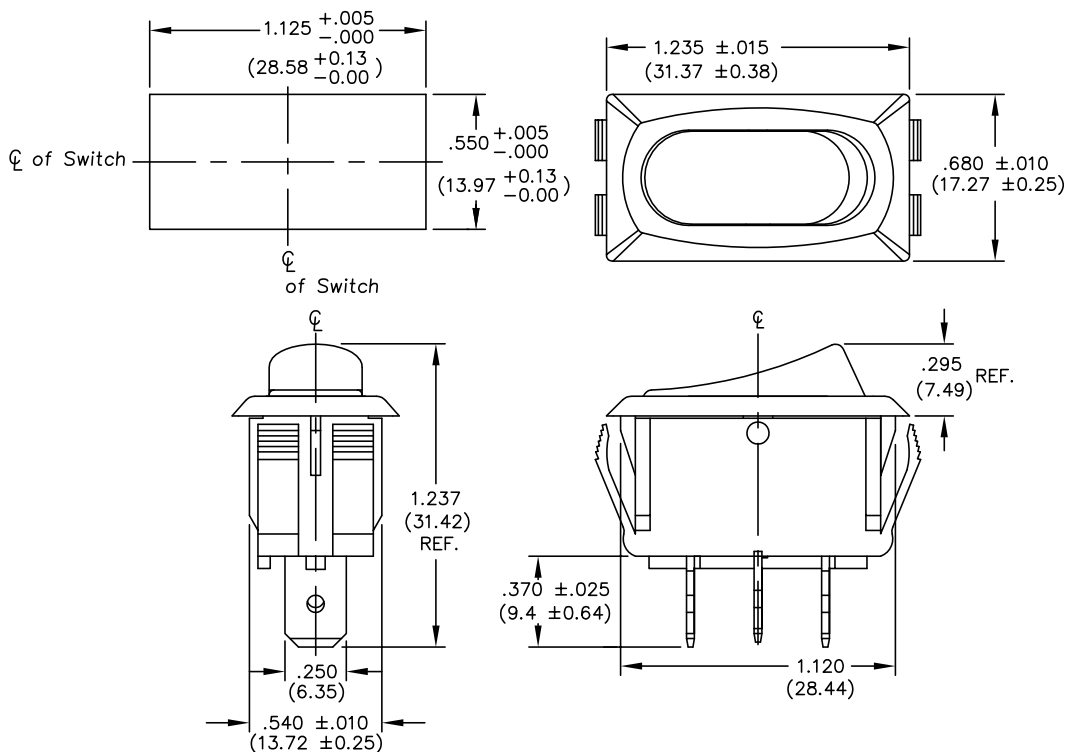


THIS INFORMATION IS CONFIDENTIAL AND PROPRIETARY TO CW INDUSTRIES INCORPORATED AND ITS AFFILIATES. IT MAY NOT BE DISCLOSED TO ANYONE, OTHER THAN CW INDUSTRIES PERSONNEL, WITHOUT WRITTEN AUTHORIZATION FROM CW INDUSTRIES INCORPORATED, SOUTHAMPTON, PENNSYLVANIA USA.

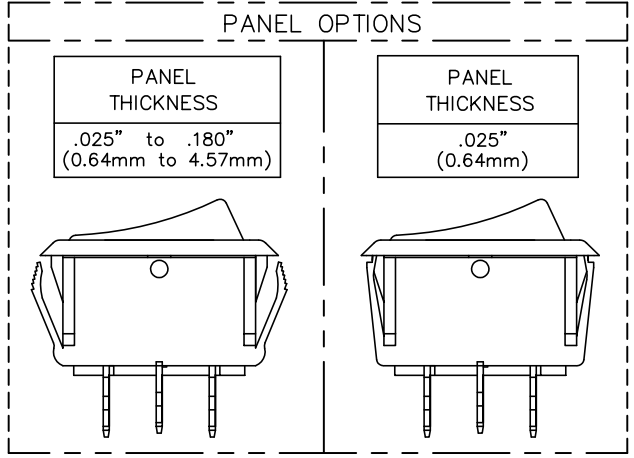
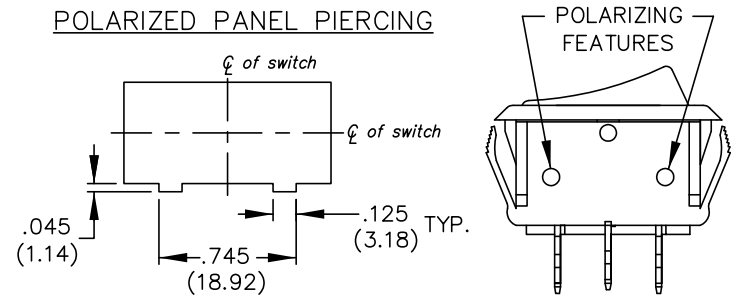
DIMENSIONS IN INCHES (MILLIMETERS)
DO NOT SCALE DRAWING

Dwg. No.
GRS-2012-25XX

PANEL PIERCING



POLARIZED OPTION



(GLOSSY FINISH)

TERMINAL OPTIONS:
.250" Wide Terminal is standard.
(As Shown in Drawing)
.187" Wide Terminal is optional.

B-FORMAT 2002	REVISIONS	1	2	3	4	5	6	7	8	9	10

PDF FILE MADE	CW INDUSTRIES Southampton, Pa. 18966	Title: ROCKER SWITCH S.P.D.T. ASSEMBLY STYLE LINE 1.125" x .550" PANEL	
	TOLERANCES UNLESS OTHERWISE SPECIFIED		
	2 Place Decimal ±.010 METRIC 3 Place Decimal ±.005 Angles ±1'		1 Place Dec. ±.25mm 2 Place Dec. ±.13mm
	Made for: CW IND.		Division: SWITCH
Drawn by: DGW 7-09-2010	Dwg. No. GRS-2012-25XX		
Checked by:			
Approval:			