

THIS INFORMATION IS CONFIDENTIAL AND PROPRIETARY TO CW INDUSTRIES INCORPORATED AND ITS AFFILIATES. IT MAY NOT BE DISCLOSED TO ANYONE, OTHER THAN CW INDUSTRIES PERSONNEL, WITHOUT WRITTEN AUTHORIZATION FROM CW INDUSTRIES INCORPORATED, SOUTHAMPTON, PENNSYLVANIA USA.

F

D

C

B

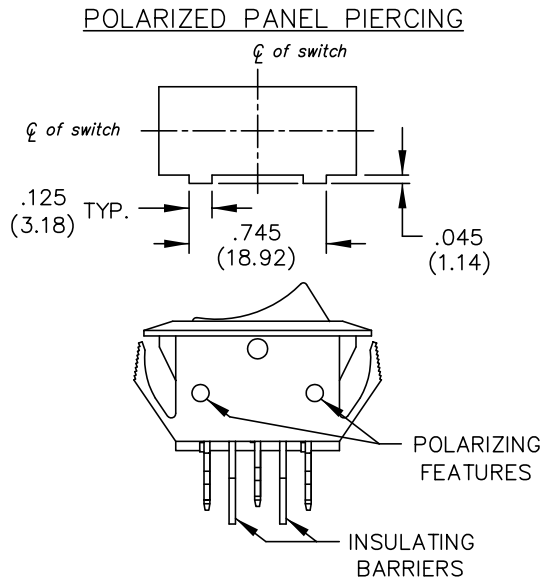
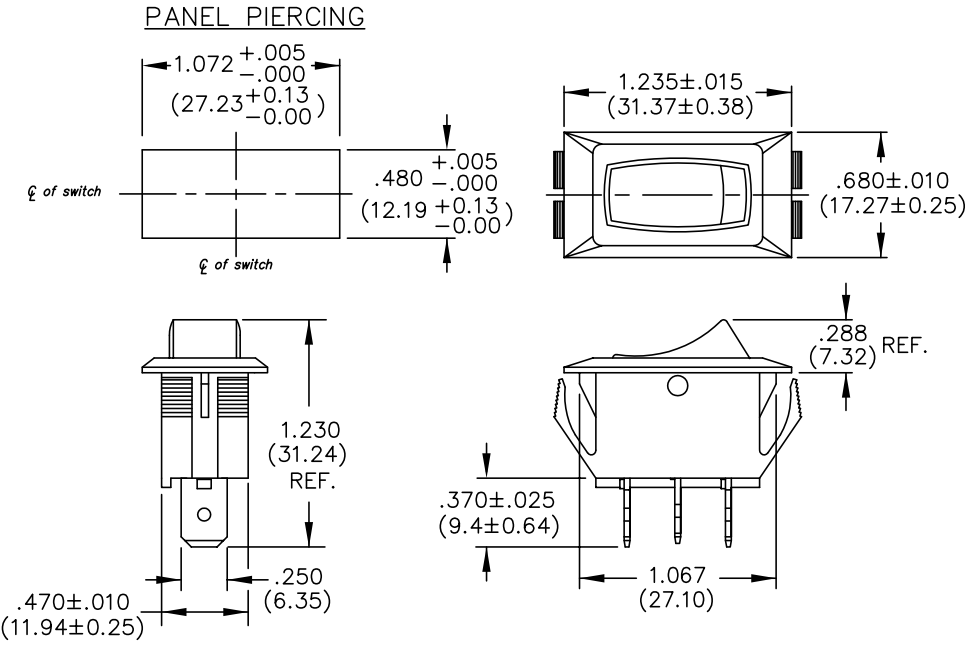
A

PANEL THICKNESS  
 .025" to .180"  
 (0.64mm to 4.57mm)

DIMENSIONS IN INCHES (MILLIMETERS)  
 DO NOT SCALE DRAWING .....

Dwg. No.  
 GRS-2012-3XXX

OPTIONS:



TERMINAL OPTIONS:

.250" Wide Terminal is standard as Shown in drawing.  
 .187" Wide Terminal is optional.

B-FORMAT 2002

REVISIONS

1 2 3 4 5 6 7 8 9 10

PDF FILE MADE	Southampton, Pa. 18966		Title: ROCKER SWITCH NARROW BODY ASSEMBLY S.P.D.T. WITH OPTIONS 1.072" x .480" PANEL
	TOLERANCES UNLESS OTHERWISE SPECIFIED		
	2 Place Decimal $\pm .010$	METRIC	Division: SWITCH
	3 Place Decimal $\pm .005$	1 Place Dec. $\pm .25$ mm	
	Angles ..... $\pm 1^\circ$	2 Place Dec. $\pm .13$ mm	Dwg. No. GRS-2012-3XXX
Made for: CW IND.	Drawn by: DGW 7-06-2010	Approval:	