

THIS INFORMATION IS CONFIDENTIAL AND PROPRIETARY TO CW INDUSTRIES INCORPORATED AND ITS AFFILIATES. IT MAY NOT BE DISCLOSED TO ANYONE, OTHER THAN CW INDUSTRIES PERSONNEL, WITHOUT WRITTEN AUTHORIZATION FROM CW INDUSTRIES INCORPORATED, SOUTHAMPTON, PENNSYLVANIA, USA.

E

D

C

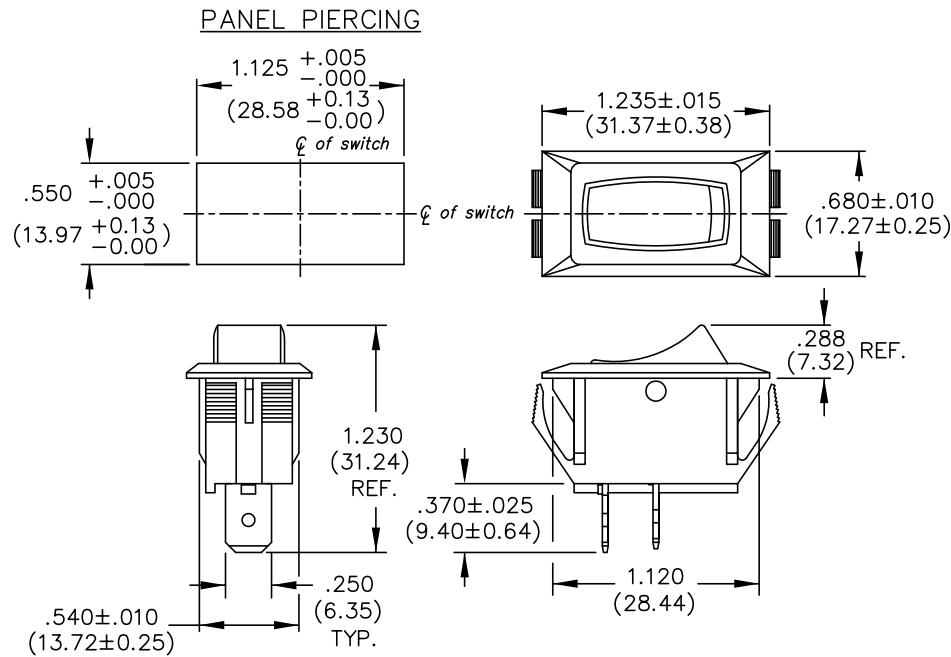
B

A

DIMENSIONS IN INCHES (MILLIMETERS)
DO NOT SCALE DRAWING

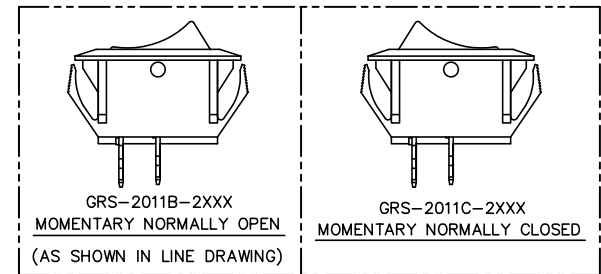
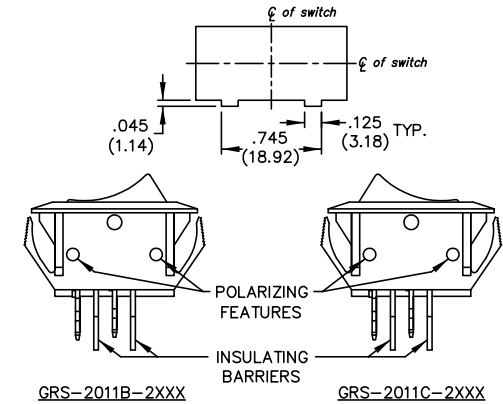
Dwg. No.
GRS-2011B-2XXX/2011C-2XXX

PANEL THICKNESS
.025" to .180" (0.64mm to 4.57mm)



OPTIONS:

POLARIZED PANEL PIERCING



TERMINAL OPTIONS:

.250" Wide Terminal is standard as Shown in drawing.
.187" Wide Terminal is optional.

1 2 3 4 5 6 7 8 9 10

B-FORMAT 2002

REVISIONS

CW INDUSTRIES
Southampton, Pa. 18966

TOLERANCES UNLESS OTHERWISE SPECIFIED	
2 Place Decimal ±.010	METRIC
3 Place Decimal ±.005	1 Place Dec. ±.25mm
Angles ±1°	2 Place Dec. ±.13mm

Made for: CW IND.
Drawn by: DGW 6-17-2010
Checked by:
Approval:

Title: ASSEMBLY DRAWING
S.P.S.T. ROCKER SWITCH
MOMENTARY FUNCTION
B & C SERIES
1.125" x .550" PANEL

Division: SWITCH
Dwg. No. GRS-2011B-2XXX/2011C-2XXX

PDF FILE MADE