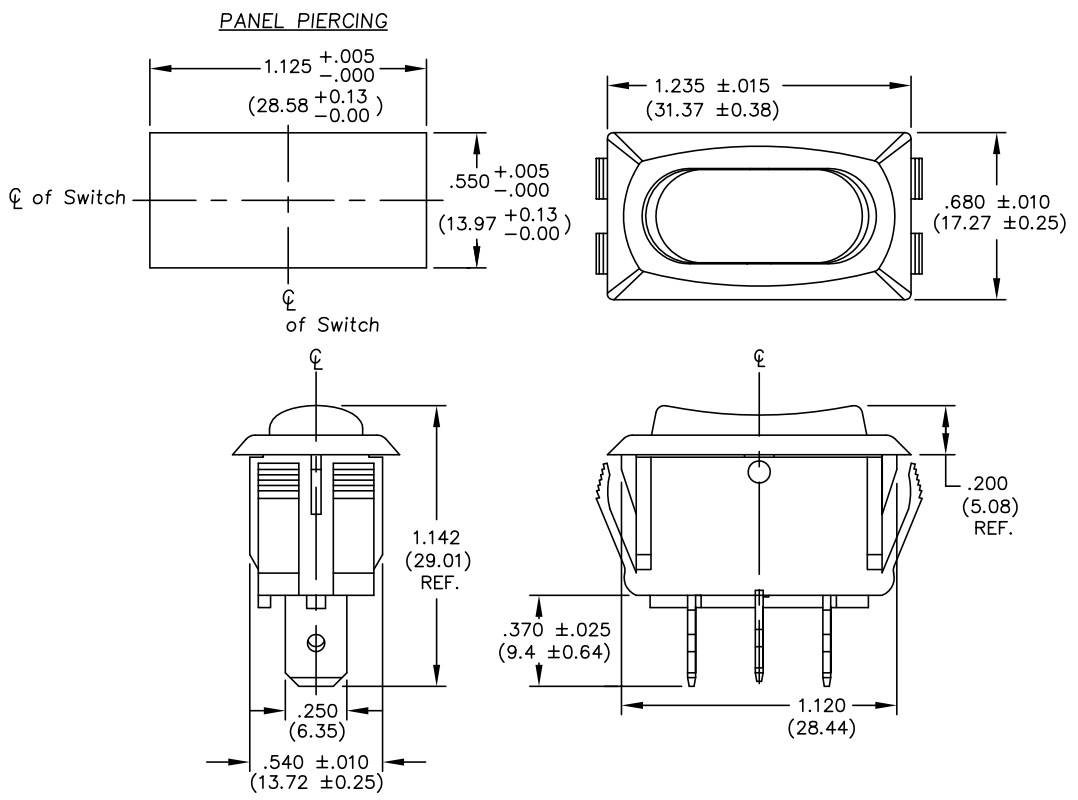


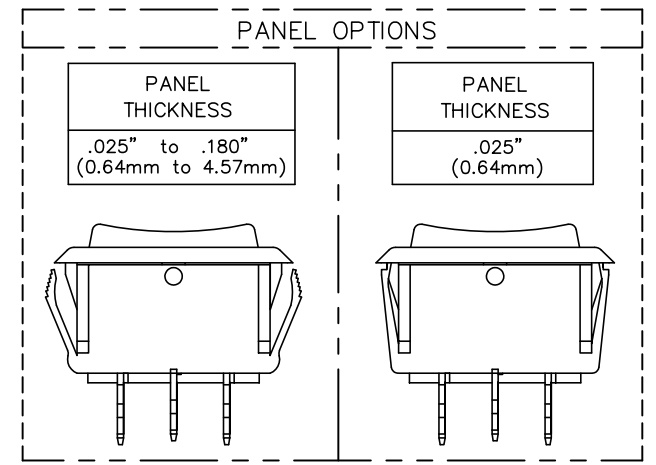
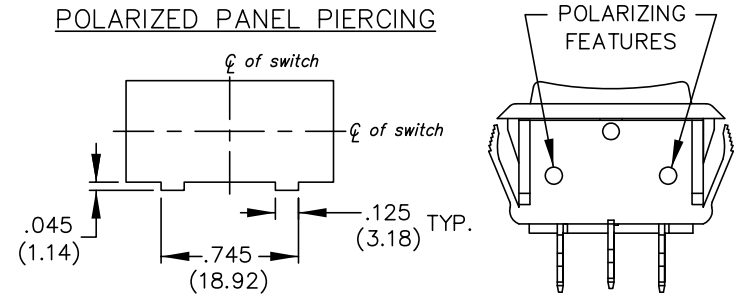
THIS INFORMATION IS CONFIDENTIAL AND PROPRIETARY TO CW INDUSTRIES INCORPORATED AND ITS AFFILIATES. IT MAY NOT BE DISCLOSED TO ANYONE, OTHER THAN CW INDUSTRIES PERSONNEL, WITHOUT WRITTEN AUTHORIZATION FROM CW INDUSTRIES INCORPORATED, SOUTHAMPTON, PENNSYLVANIA USA.

DIMENSIONS IN INCHES (MILLIMETERS)
DO NOT SCALE DRAWING

Dwg. No.
GRS-2013A-25XX



POLARIZED OPTION



TERMINAL OPTIONS:

.250" Wide Terminal is standard.
(As Shown in Drawing)

.187" Wide Terminal is optional.

(GLOSSY FINISH)

B-FORMAT 2002

REVISIONS

1 2 3 4 5 6 7 8 9 10

CW INDUSTRIES
Southampton, Pa. 18966

TOLERANCES UNLESS OTHERWISE SPECIFIED

2 Place Decimal ± 0.010	METRIC
3 Place Decimal ± 0.005	1 Place Dec. ± 0.25 mm
Angles $\pm 1^\circ$	2 Place Dec. ± 0.13 mm

Made for: CW IND.
Drawn by: DGW 7-28-2010
Checked by:
Approval:

Title: CENTER OFF ROCKER
SWITCH ASSEMBLY
STYLE LINE
1.125" x .550" PANEL

Division: SWITCH

Dwg. No.
GRS-2013A-25XX