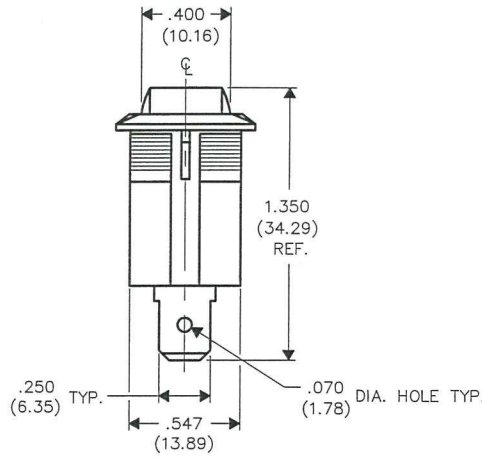
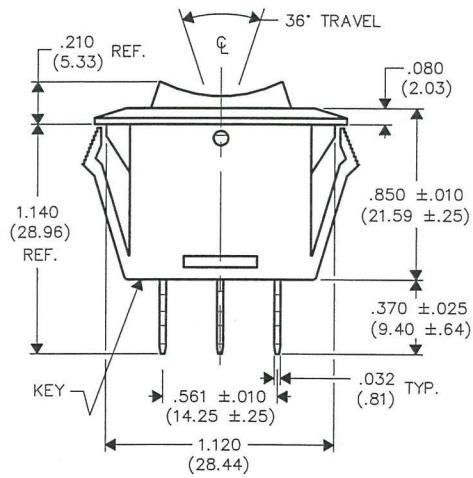
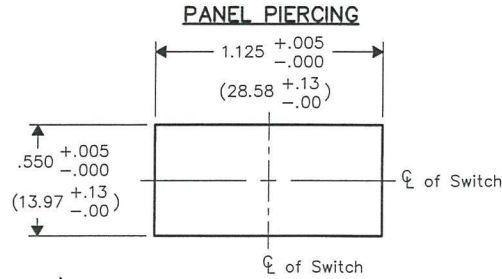
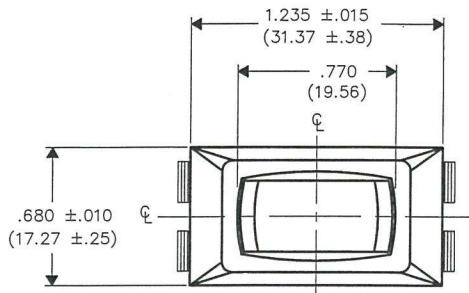


DIMENSIONS IN INCHES (MILLIMETERS)
DO NOT SCALE DRAWING

Dwg. No.

GRS-2013C-1300



E
D
C
B
A

1 2 3 4 5 6 7 8 9 10

B-FORMAT 2002	REVISIONS	0
	RELEASED. DGW	10-07-2002
	MOM./OFF/MOM. WAS	1
	MOM./OFF/ON IN TITLE.	
	DGW	12-07-2012
	<i>John Butler 12/16/2012</i>	

<p>PDF File Made (QRO)</p> <p>CW INDUSTRIES Southampton, Pa. 18966</p> <p>TOLERANCES UNLESS OTHERWISE SPECIFIED</p> <p>2 Place Decimal ±.010 METRIC 3 Place Decimal ±.005 1 Place Dec. ±.25mm Angles ±1" 2 Place Dec. ±.13mm</p> <p>Made for: CW IND.</p> <p>Drawn by: DGW 10-02-2002</p> <p>Checked by: <i>G. Gold 10-7-02</i></p> <p>Approval: <i>10-7-2</i></p>		<p>Title: ROCKER SWITCH CENTER-OFF "POP IN" MOM./OFF/MOM.</p> <p>Division: SWITCH</p> <p>Dwg. No. GRS-2013C-1300</p>
--	--	---

MASTER