

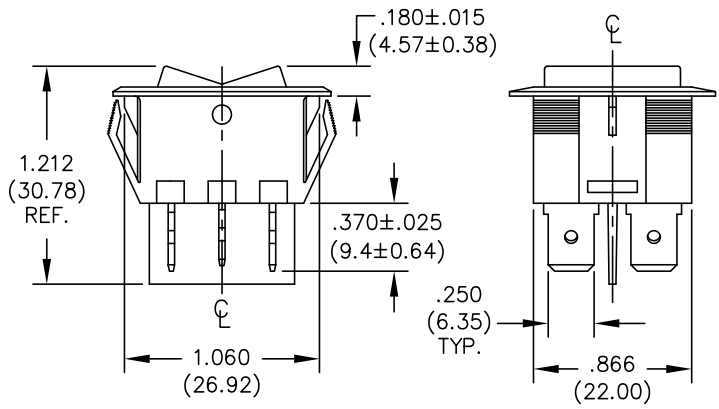
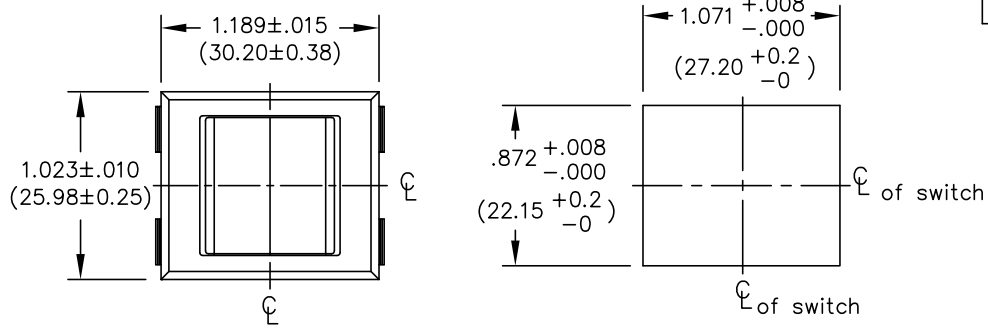
THIS INFORMATION IS CONFIDENTIAL AND PROPRIETARY TO CW INDUSTRIES INCORPORATED AND ITS AFFILIATES. IT MAY NOT BE DISCLOSED TO ANYONE, OTHER THAN CW INDUSTRIES PERSONNEL, WITHOUT WRITTEN AUTHORIZATION FROM CW INDUSTRIES INCORPORATED, SOUTHAMPTON, PENNSYLVANIA USA.

DIMENSIONS IN INCHES (MILLIMETERS)
DO NOT SCALE DRAWING

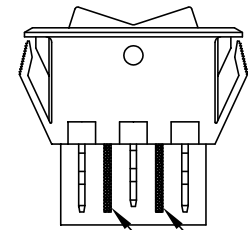
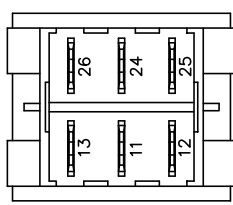
Dwg. No.
GR-2023A-XXXX

PANEL THICKNESS
.025" to .150"
(0.64mm to 3.81mm)

PANEL PIERCING



BOTTOM VIEW



INSULATING BARRIERS BETWEEN TERMINALS
OPTIONAL

B-FORMAT 2002

REVISIONS

PDF FILE MADE	CW INDUSTRIES Southampton, Pa. 18966		Title: PANEL MOUNT ROCKER SWITCH D.P.- D.T.- C.O. (ON-OFF-ON) W/OPTIONS							
	<table border="1"> <tr> <th colspan="2">TOLERANCES UNLESS OTHERWISE SPECIFIED</th> </tr> <tr> <td>2 Place Decimal ±.010</td> <td>METRIC</td> </tr> <tr> <td>3 Place Decimal ±.005</td> <td>1 Place Dec. ±.25mm</td> </tr> <tr> <td>Angles ±1°</td> <td>2 Place Dec. ±.13mm</td> </tr> </table>			TOLERANCES UNLESS OTHERWISE SPECIFIED		2 Place Decimal ±.010	METRIC	3 Place Decimal ±.005	1 Place Dec. ±.25mm	Angles ±1°
	TOLERANCES UNLESS OTHERWISE SPECIFIED									
	2 Place Decimal ±.010	METRIC								
	3 Place Decimal ±.005	1 Place Dec. ±.25mm								
Angles ±1°	2 Place Dec. ±.13mm									
Made for: CW IND.	Division: SWITCH									
Drawn by: DGW 8-03-2010	Dwg. No. GR-2023A-XXXX									
Checked by:										
Approval:										

1 2 3 4 5 6 7 8 9 10