

THIS INFORMATION IS CONFIDENTIAL AND PROPRIETARY TO CW INDUSTRIES INCORPORATED AND ITS AFFILIATES. IT MAY NOT BE DISCLOSED TO ANYONE OTHER THAN CW INDUSTRIES PERSONNEL, WITHOUT WRITTEN AUTHORIZATION FROM CW INDUSTRIES INCORPORATED, SOUTHAMPTON, PENNSYLVANIA USA.

F

D

C

B

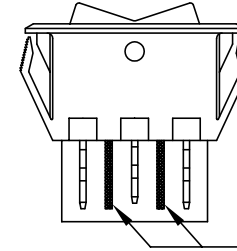
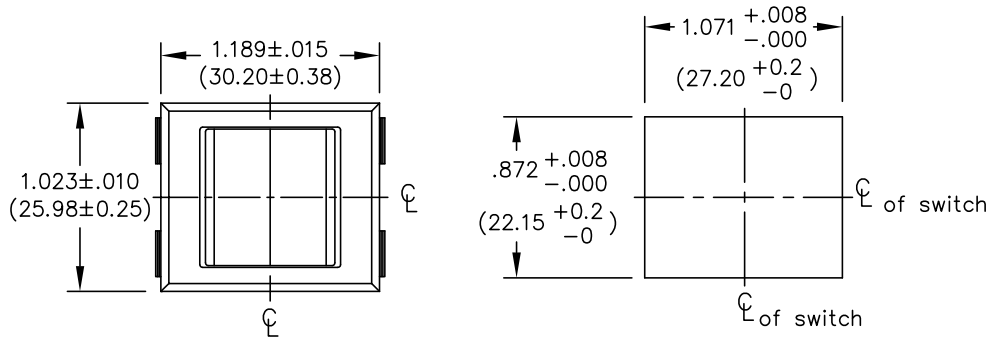
A

PANEL THICKNESS
 .025" to .150"
 (0.64mm to 3.81mm)

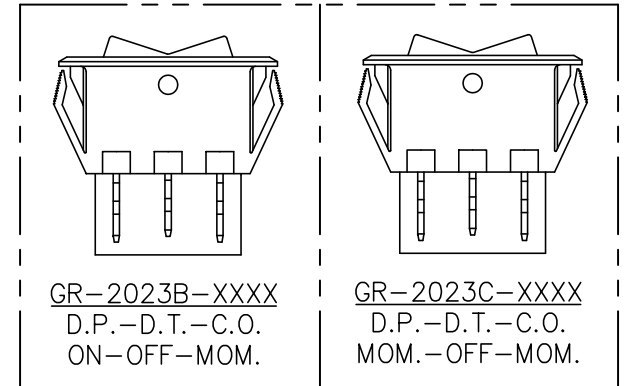
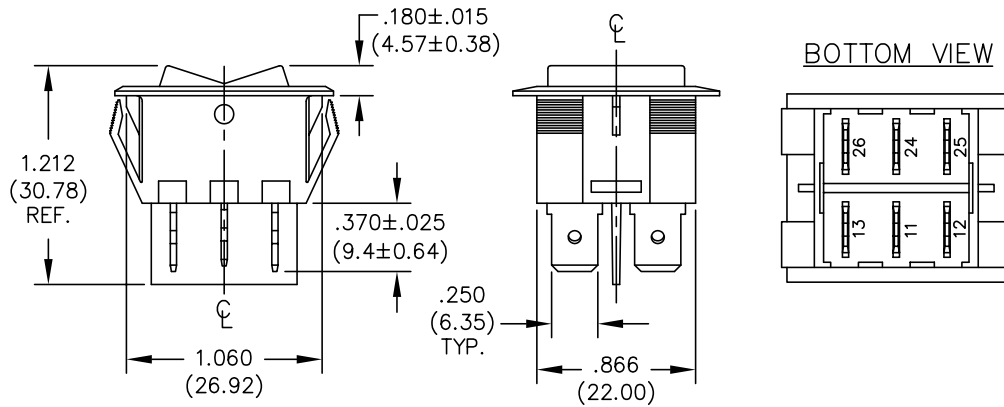
DIMENSIONS IN INCHES (MILLIMETERS)
 DO NOT SCALE DRAWING

Dwg. No.
 GR-2023B-XXXX/2023C-XXXX

PANEL PIERCING



INSULATING BARRIERS BETWEEN TERMINALS
 OPTIONAL



1 2 3 4 5 6 7 8 9 10

B-FORMAT 2002

REVISIONS

CW INDUSTRIES
 Southampton, Pa. 18966

TOLERANCES UNLESS OTHERWISE SPECIFIED
 2 Place Decimal ±.010 METRIC
 3 Place Decimal ±.005 1 Place Dec. ±.25mm
 Angles ±1° 2 Place Dec. ±.13mm

Made for: CW IND.
 Drawn by: DGW 8-03-2010
 Checked by:
 Approval:

Title: PANEL MOUNT
 ROCKER SWITCH
 D.P.-D.T./MOMENTARY
 WITH OPTIONS

Division: SWITCH
 Dwg. No.
 GR-2023B-XXXX/2023C-XXXX

PDF FILE MADE