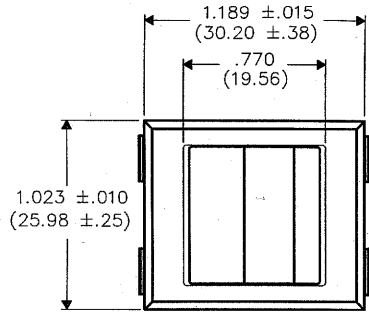
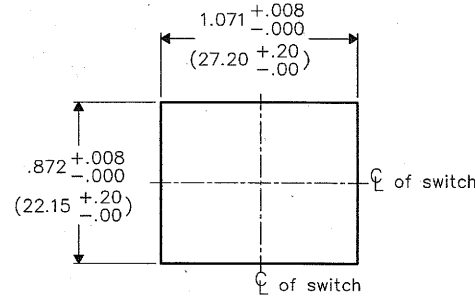


E
D
C
B
A



PANEL PIERCING

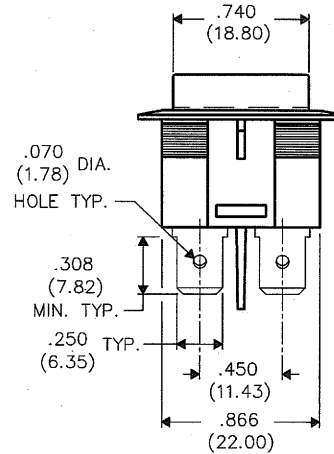
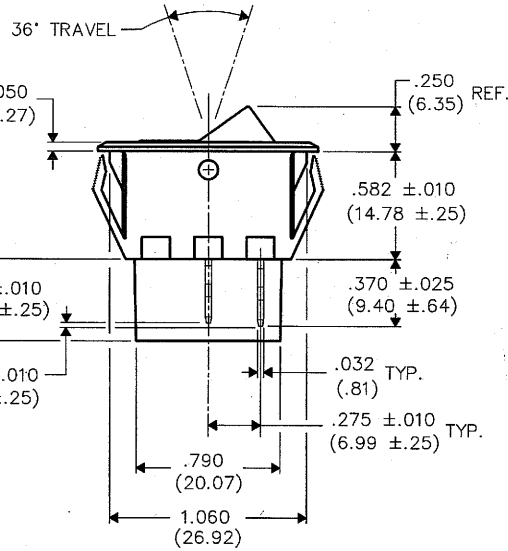


MATERIAL:

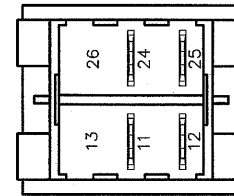
BUTTON: Nylon 6/6, Color - White
HOUSING: Nylon 6/6, Color - Black

UL/CSA/VDE Listed

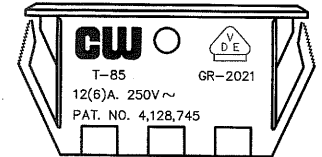
16A 125VAC 12A 250VAC
3/4 H.P. 125-250VAC
10A 14V(T) 12(6) 250V ~
T-85 GR-2021



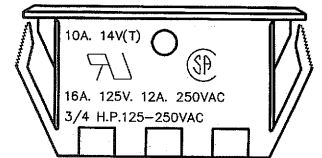
BOTTOM VIEW



SIDE ONE



SIDE TWO



B-FORMAT 2002	1	2	3	4	5	6	7	8	9	10					
	REVISIONS														
	0 NEW RELEASE. DGW 12-21-2009 DEC 21 2009														
	1 ADDED VIEWS OF SIDE ONE, SIDE TWO & MATERIAL FOR BUTTON & HOUSING TO DRAWING. DGW 12-22-2009 DEC 22 2009 G.G.														
<p>CW INDUSTRIES Southampton, Pa. 18966</p> <p>TOLERANCES UNLESS OTHERWISE SPECIFIED</p> <table border="0"> <tr> <td>2 Place Decimal ±.010</td> <td>METRIC</td> </tr> <tr> <td>3 Place Decimal ±.005</td> <td>1 Place Dec. ±.25mm</td> </tr> <tr> <td>Angles ±1°</td> <td>2 Place Dec. ±.13mm</td> </tr> </table> <p>Made for: CW IND.</p> <p>Drawn by: DGW 12/21/2009</p> <p>Checked by: G. Guld 12-21-09</p> <p>Approval: G. Guld 12-21-09</p>								2 Place Decimal ±.010	METRIC	3 Place Decimal ±.005	1 Place Dec. ±.25mm	Angles ±1°	2 Place Dec. ±.13mm	<p>Title: ROCKER SWITCH ASSEMBLY D.P.- S.T.</p> <p>Division: SWITCH</p> <p>Dwg. No. GR-2021-0014</p>	
2 Place Decimal ±.010	METRIC														
3 Place Decimal ±.005	1 Place Dec. ±.25mm														
Angles ±1°	2 Place Dec. ±.13mm														

MASTER