
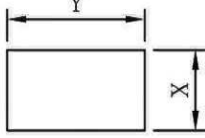
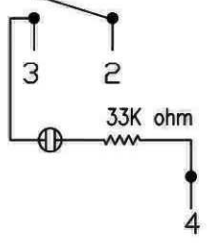
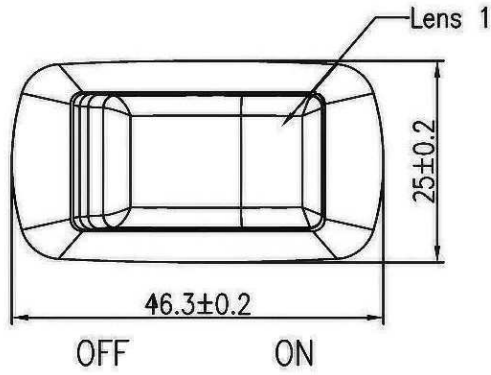
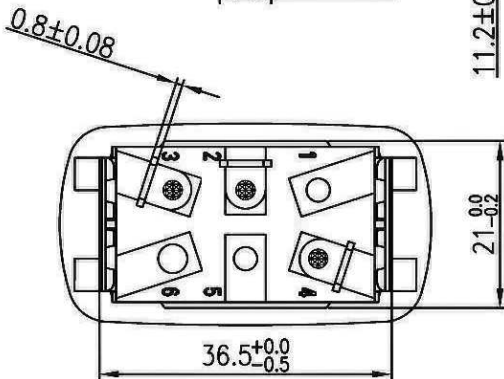
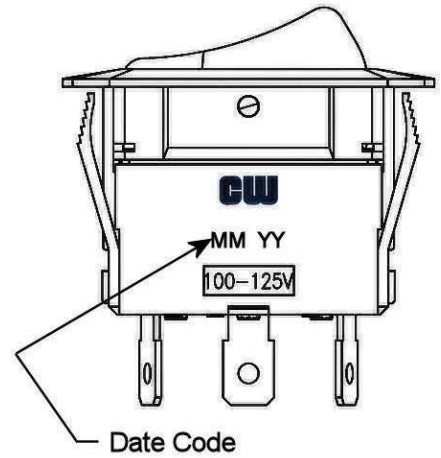
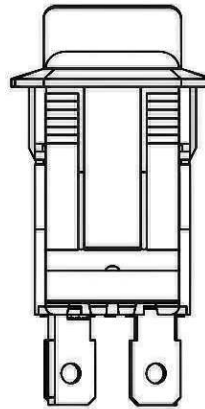
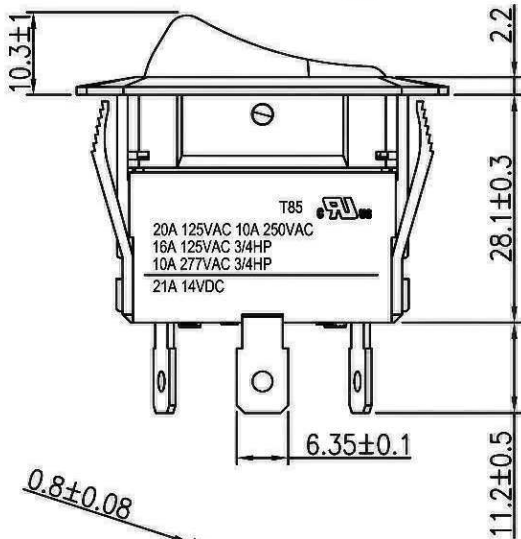


THIS INFORMATION IS CONFIDENTIAL AND PROPRIETARY TO CW INDUSTRIES INCORPORATED AND ITS AFFILIATES. IT MAY NOT BE DISCLOSED TO ANYONE, OTHER THAN CW INDUSTRIES PERSONNEL, WITHOUT WRITTEN AUTHORIZATION FROM CW INDUSTRIES INCORPORATED, SOUTHAMPTON, PENNSYLVANIA USA.

<b>Rating</b>	20A 125VAC 10A 250VAC 16A 125VAC 3/4HP 10A 277VAC 3/4HP 	<b>Mounting Hole</b>	<b>Circuit Diagram</b>									
	21A 14VDC											
<b>Configured For</b>	250VAC 277VAC											
<b>Contact Resistance</b>	50m ohm Max.											
<b>Insulation Resistance</b>	DC 500V 100M ohm Min.											
<b>Dielectric Strength</b>	AC 1500V 1 minute											
<b>Operation Temperature</b>	-20°~85°	<table border="1"> <tr> <th>Thickness(mm)</th> <th>X(mm)</th> <th>Y(mm)</th> </tr> <tr> <td>0.75~1.25</td> <td rowspan="3">21.2±0.1</td> <td>36.6<sup>+0.2</sup><sub>-0.2</sub></td> </tr> <tr> <td>1.25~2.0</td> <td>36.8<sup>+0.2</sup><sub>-0.2</sub></td> </tr> <tr> <td>2.0~3.0</td> <td>37.0<sup>+0.2</sup><sub>-0.2</sub></td> </tr> </table>	Thickness(mm)	X(mm)	Y(mm)	0.75~1.25	21.2±0.1	36.6 <sup>+0.2</sup> <sub>-0.2</sub>	1.25~2.0	36.8 <sup>+0.2</sup> <sub>-0.2</sub>	2.0~3.0	37.0 <sup>+0.2</sup> <sub>-0.2</sub>
Thickness(mm)	X(mm)	Y(mm)										
0.75~1.25	21.2±0.1	36.6 <sup>+0.2</sup> <sub>-0.2</sub>										
1.25~2.0		36.8 <sup>+0.2</sup> <sub>-0.2</sub>										
2.0~3.0		37.0 <sup>+0.2</sup> <sub>-0.2</sub>										
<b>Switch Function</b>	3P SPST ON-OFF LAMP Dependent											
<b>Lamp Type</b>	Neon 250VAC 277VAC w/resistor											



**MATERIAL:**  
 Frame: Nylon 66, Black  
 Actuator: Nylon 66 with 33%GF, Black  
 Lens: PC, Red  
 Lamp: Neon, Red  
 Water proof and dust proof to fit IP-56



RoHS Compliant

3 Added Configured for to rating, Dependent to function & Lamp Type. 1/23/12.  
 2 20A 125VAC 10A 250VAC was 20A 125VAC 10A 25VAC in Rating. 1/24/11.

**CW INDUSTRIES**  
 Southampton, Pa. 18966  
 Tel 215.355.7080/www.cwind.com

Date Drawn: 1/24/11

Rev. 3

Unit: mm

Checked By: *G. Gold*

Title: **ROCKER SWITCH**

CW P/N: **GRB260A401BBRN2**