
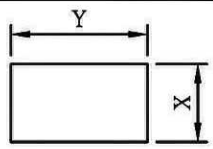
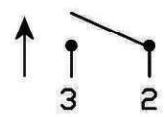


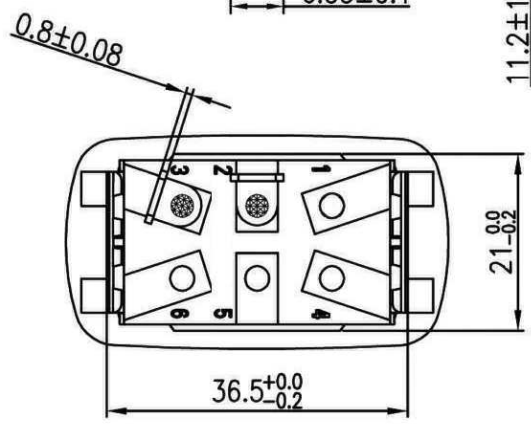
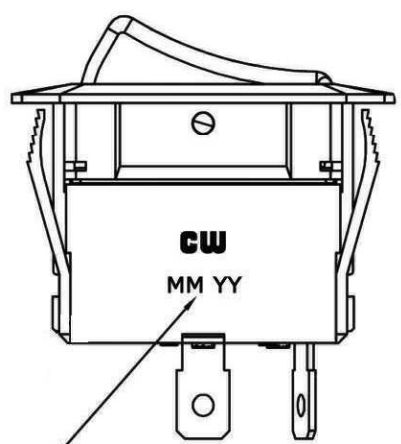
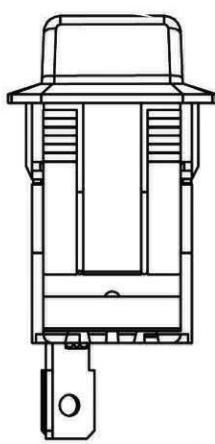
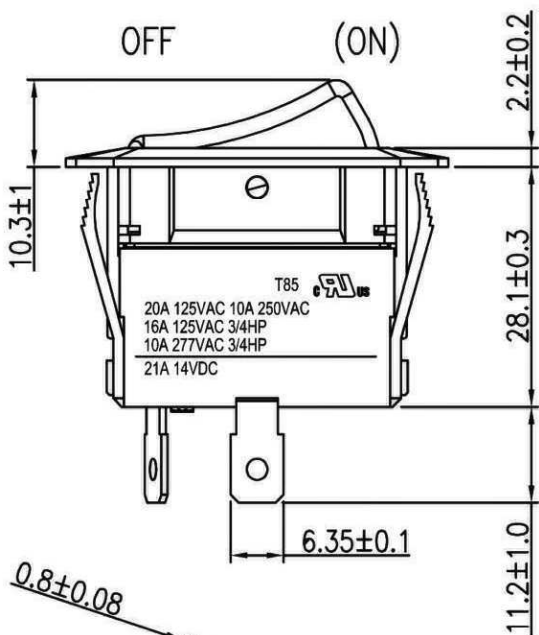
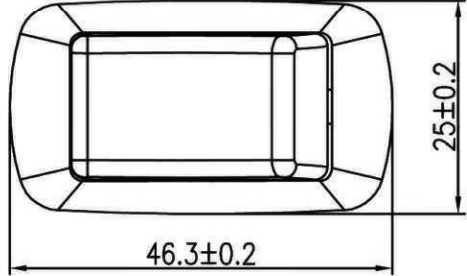
THIS INFORMATION IS CONFIDENTIAL AND PROPRIETARY TO CW INDUSTRIES INCORPORATED AND ITS AFFILIATES. IT MAY NOT BE DISCLOSED TO ANYONE, OTHER THAN CW INDUSTRIES PERSONNEL, WITHOUT WRITTEN AUTHORIZATION FROM CW INDUSTRIES INCORPORATED, SOUTHAMPTON, PENNSYLVANIA USA.

Rating	20A 125VAC 10A 250VAC 16A 125VAC 3/4HP  10A 277VAC 3/4HP	Mounting Hole	Circuit Diagram									
	21A 14VDC											
Contact Resistance	50m ohm Max.											
Insulation Resistance	DC 500V 100M ohm Min.											
Dielectric Strength	AC 1500V 1 minute											
Operation Temperature	-20°~+85°	<table border="1"> <tr> <th>Thickness(mm)</th> <th>X(mm)</th> <th>Y(mm)</th> </tr> <tr> <td>0.75~1.25</td> <td rowspan="3">21.2±0.1</td> <td>36.6^{+0.2}₋₀</td> </tr> <tr> <td>1.25~2.0</td> <td>36.8^{+0.2}₋₀</td> </tr> <tr> <td>2.0~3.0</td> <td>37.0^{+0.2}₋₀</td> </tr> </table>	Thickness(mm)	X(mm)	Y(mm)	0.75~1.25	21.2±0.1	36.6 ^{+0.2} ₋₀	1.25~2.0	36.8 ^{+0.2} ₋₀	2.0~3.0	37.0 ^{+0.2} ₋₀
Thickness(mm)	X(mm)	Y(mm)										
0.75~1.25	21.2±0.1	36.6 ^{+0.2} ₋₀										
1.25~2.0		36.8 ^{+0.2} ₋₀										
2.0~3.0		37.0 ^{+0.2} ₋₀										
Switch Function	2P SPST (ON)-OFF											

() = Momentary Function

* MATERIAL:

Frame: Nylon#66, Black
 Actuator: Nylon#66 with 33%GF, Black
 Printed: None
 Water proof and dust proof to fit IP-56



RoHS Compliant

1 20A 125VAC 10A 250VAC was 20A 125VAC 10A 25VAC IN RATING. 1/24/11.

CW INDUSTRIES
 Southampton, Pa. 18966
 Tel 215.355.7080/www.cwind.com

Date Drawn: 1/24/11

Rev. 1

Unit: mm

Checked By: G.Guld

Title: **ROCKER SWITCH**

CW P/N: **GRB260N601BBNN**