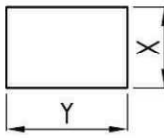
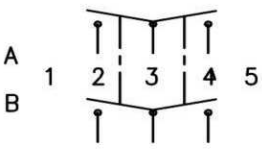
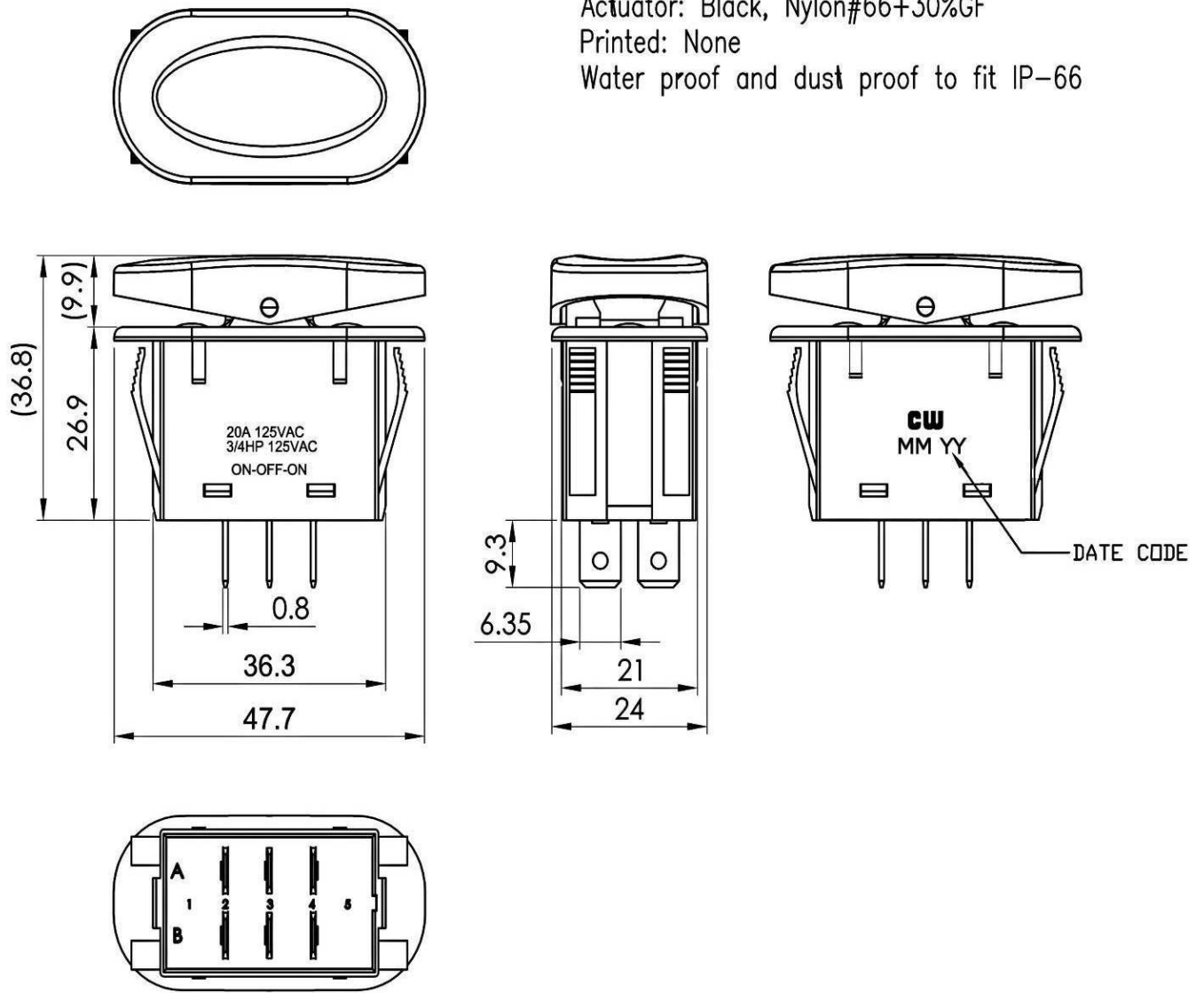


THIS INFORMATION IS CONFIDENTIAL AND PROPRIETARY TO CW INDUSTRIES INCORPORATED AND ITS AFFILIATES. IT MAY NOT BE DISCLOSED TO ANYONE, OTHER THAN CW INDUSTRIES PERSONNEL, WITHOUT WRITTEN AUTHORIZATION FROM CW INDUSTRIES INCORPORATED, SOUTHAMPTON, PENNSYLVANIA USA.

| | | | | |
|------------------------------|----------------------------|--|----------|---|
| Rating | 20A 125VAC 3/4HP 125VAC | Mounting Hole | | Circuit Diagram |
| Contact Resistance | 50m ohm Max. |  | |  |
| Insulation Resistance | DC 500V 100M ohm Min. | | | |
| Dielectric Strength | AC 1500V 1 minute | | | |
| Operation Temperature | -20°C~85°C | Thickness | X | Y |
| Switch Function | 6P DPDT ON-OFF-ON | 0.75~1.25 | 21.2+0.1 | 36.6+0.1 |
| | | 1.25~2 | 21.2+0.1 | 36.8+0.1 |
| | | 2~3 | 21.2+0.1 | 37.0+0.1 |

Material:
 Frame: Black, Nylon#66
 Actuator: Black, Nylon#66+30%GF
 Printed: None
 Water proof and dust proof to fit IP-66



RoHS Compliant

TOLERANCE: ±0.3mm(±0.0012inch) UNLESS OTHERWISE SPECIFIED.

CW INDUSTRIES
 Southampton, Pa. 18966
 Tel 215.355.7080/www.cwind.com

Date Drawn: 5/18/10

Rev. 0

Unit: mm

Checked By: EJP

Title: **ROCKER SWITCH**

CW P/N: **GRB271E1BBNNNN**