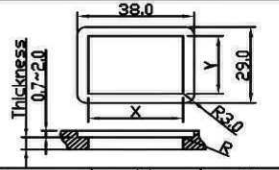
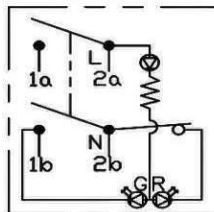
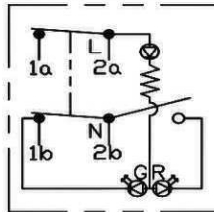
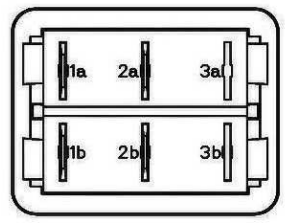
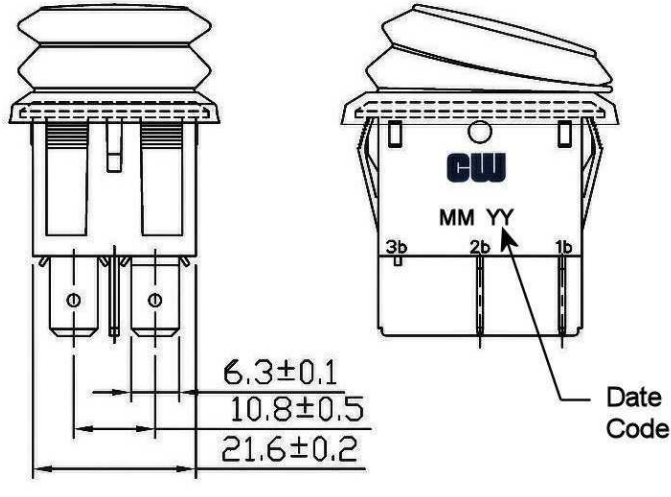
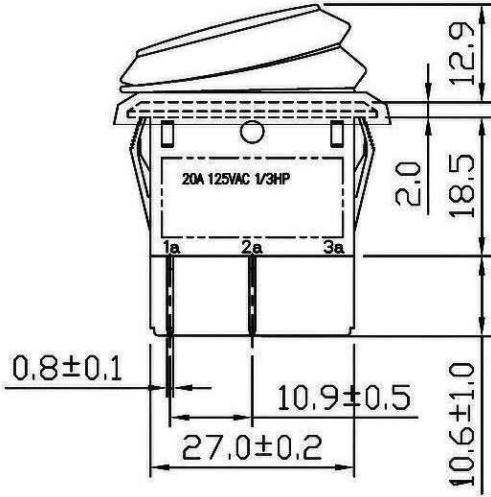
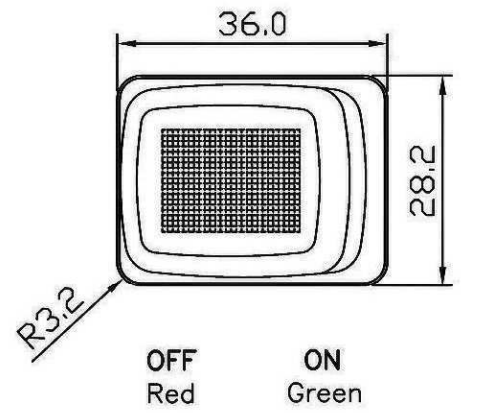


THIS INFORMATION IS CONFIDENTIAL AND PROPRIETARY TO CW INDUSTRIES INCORPORATED AND ITS AFFILIATES. IT MAY NOT BE DISCLOSED TO ANYONE, OTHER THAN CW INDUSTRIES PERSONNEL, WITHOUT WRITTEN AUTHORIZATION FROM CW INDUSTRIES INCORPORATED, SOUTHAMPTON, PENNSYLVANIA USA.

<b>Rating</b>	20A125V AC 1/3HP	<b>Mounting Hole</b> 	<b>Circuit Diagram</b>												
<b>Contact Resistance</b>	50m ohm Max.		Switch off, red LED lighten												
<b>Insulation Resistance</b>	DC 500V 100M ohm Min.	<table border="1"> <tr> <th>Thickness</th> <th>X</th> <th>Y</th> </tr> <tr> <td>0.75...1.25</td> <td>30.2-0.1</td> <td>22.2+0.1</td> </tr> <tr> <td>1.25...2</td> <td>30.4-0.1</td> <td>22.2+0.1</td> </tr> <tr> <td>2...4</td> <td>30.8-0.1</td> <td>22.2+0.1</td> </tr> </table>	Thickness	X	Y	0.75...1.25	30.2-0.1	22.2+0.1	1.25...2	30.4-0.1	22.2+0.1	2...4	30.8-0.1	22.2+0.1	
Thickness	X		Y												
0.75...1.25	30.2-0.1		22.2+0.1												
1.25...2	30.4-0.1	22.2+0.1													
2...4	30.8-0.1	22.2+0.1													
<b>Dielectric Strength</b>	AC 1500V 1 minute	<table border="1"> <tr> <th>Thickness</th> <th>X</th> <th>Y</th> </tr> <tr> <td>0.75...1.25</td> <td>30.2-0.1</td> <td>22.2+0.1</td> </tr> <tr> <td>1.25...2</td> <td>30.4-0.1</td> <td>22.2+0.1</td> </tr> <tr> <td>2...4</td> <td>30.8-0.1</td> <td>22.2+0.1</td> </tr> </table>	Thickness	X	Y	0.75...1.25	30.2-0.1	22.2+0.1	1.25...2	30.4-0.1	22.2+0.1	2...4	30.8-0.1	22.2+0.1	
Thickness	X		Y												
0.75...1.25	30.2-0.1	22.2+0.1													
1.25...2	30.4-0.1	22.2+0.1													
2...4	30.8-0.1	22.2+0.1													
<b>Operation Temperature</b>	-25°C~85°C.	<b>Switch Function</b>	4P DPST ON-OFF Lamp Dependent												
<b>Lamp Type</b>	LED 125VAC 110V w/resistor														



**\*MATERIAL:**  
 Frame: Black, Nylon 66 (94-V2)  
 Actuator: Clear, PC (94-V2)  
 Terminals: Silver plated, Copper alloy  
 Waterproof Rubber: Silicone  
 Tolerance: ±0.3mm unless otherwise specified  
**\*Waterproof: IP-65**

RoHS Compliant

2 Added Dependent to function, dated code to drawing and Lamp Type. 12/18/2011.
1 IP-65 WAS IP56. 1/11/11

**CW INDUSTRIES**  
 Southampton, Pa. 18966  
 Tel 215.355.7080/www.cwind.com

Date Drawn: 9/19/08	Rev. 2	Unit: mm	Checked By: G. Gold
Title: <b>ROCKER SWITCH</b>		CW P/N: <b>GRB285A8L101GR4</b>	