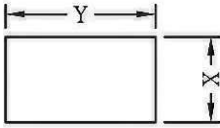
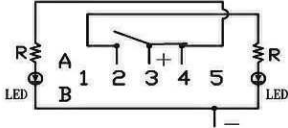
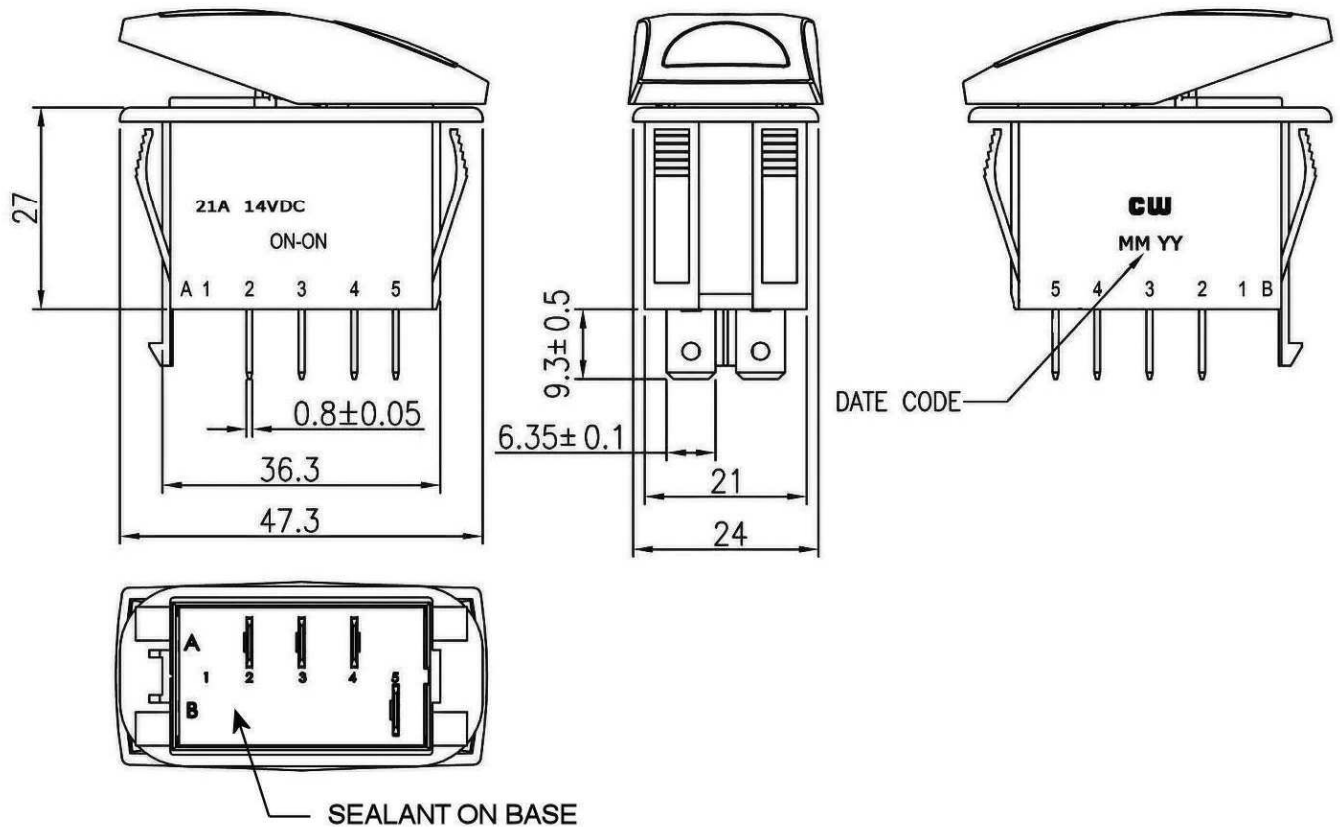
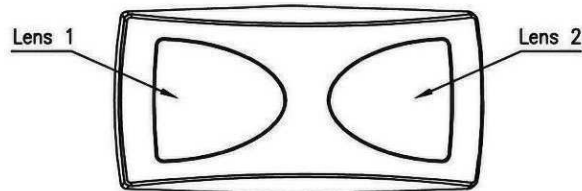


THIS INFORMATION IS CONFIDENTIAL AND PROPRIETARY TO CW INDUSTRIES INCORPORATED AND ITS AFFILIATES. IT MAY NOT BE DISCLOSED TO ANYONE, OTHER THAN CW INDUSTRIES PERSONNEL, WITHOUT WRITTEN AUTHORIZATION FROM CW INDUSTRIES INCORPORATED, SOUTHAMPTON, PENNSYLVANIA USA.

<b>Rating</b>	21A 14VDC											
<b>Contact Resistance</b>	50m ohm Max.											
<b>Insulation Resistance</b>	DC 500V 100M ohm Min.											
<b>Dielectric Strength</b>	AC 1500V 1 minute											
<b>Operation Temperature</b>	- 25° ~ + 85°											
<b>Switch Function</b>	4P SPDT ON - ON LED Dependent	<table border="1"> <tr> <th>Thickness(mm)</th> <th>X(mm)</th> <th>Y(mm)</th> </tr> <tr> <td>0.75~1.25</td> <td rowspan="3">21.0<sup>+0.3</sup><sub>0</sub></td> <td>36.6+0.1</td> </tr> <tr> <td>1.25~2.0</td> <td>36.8+0.1</td> </tr> <tr> <td>2.0~3.0</td> <td>37.0+0.1</td> </tr> </table>	Thickness(mm)	X(mm)	Y(mm)	0.75~1.25	21.0 <sup>+0.3</sup> <sub>0</sub>	36.6+0.1	1.25~2.0	36.8+0.1	2.0~3.0	37.0+0.1
Thickness(mm)	X(mm)	Y(mm)										
0.75~1.25	21.0 <sup>+0.3</sup> <sub>0</sub>	36.6+0.1										
1.25~2.0		36.8+0.1										
2.0~3.0		37.0+0.1										
<b>Lamp Type</b>	LED 12VDC 14V w/resistor											

- Material:**
- 1. Frame: Nylon-66(94V-2)
  - Actuator: Nylon-66+33%GF
  - Lens 1: PC, Red
  - Lens 2: PC, Green
  - Terminal: Silver plated copper (excepted lamp terminal)
  - Printed: None
  - 2. Water proof: IP-67



TOLERANCE: ±0.3mm UNLESS OTHERWISE SPECIFIED.

RoHS Compliant

2	Added Lamp Type to chart and Dependent to function. 1/27/12.
1	IP-67 Was IP-66 & Added Sealant on base to bot. view.

**CW INDUSTRIES**  
 Southampton, Pa. 18966  
 Tel 215.355.7080/www.cwind.com

Date Drawn: 5/20/10

Rev. 2

Unit: mm

Checked By: *G. Gold*

Title: **ROCKER SWITCH**

CW P/N: **GRB292C301BBRG1**