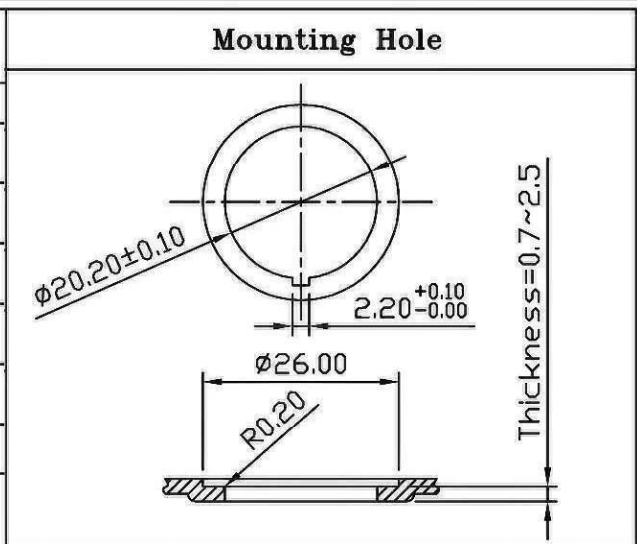
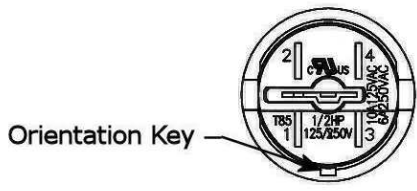
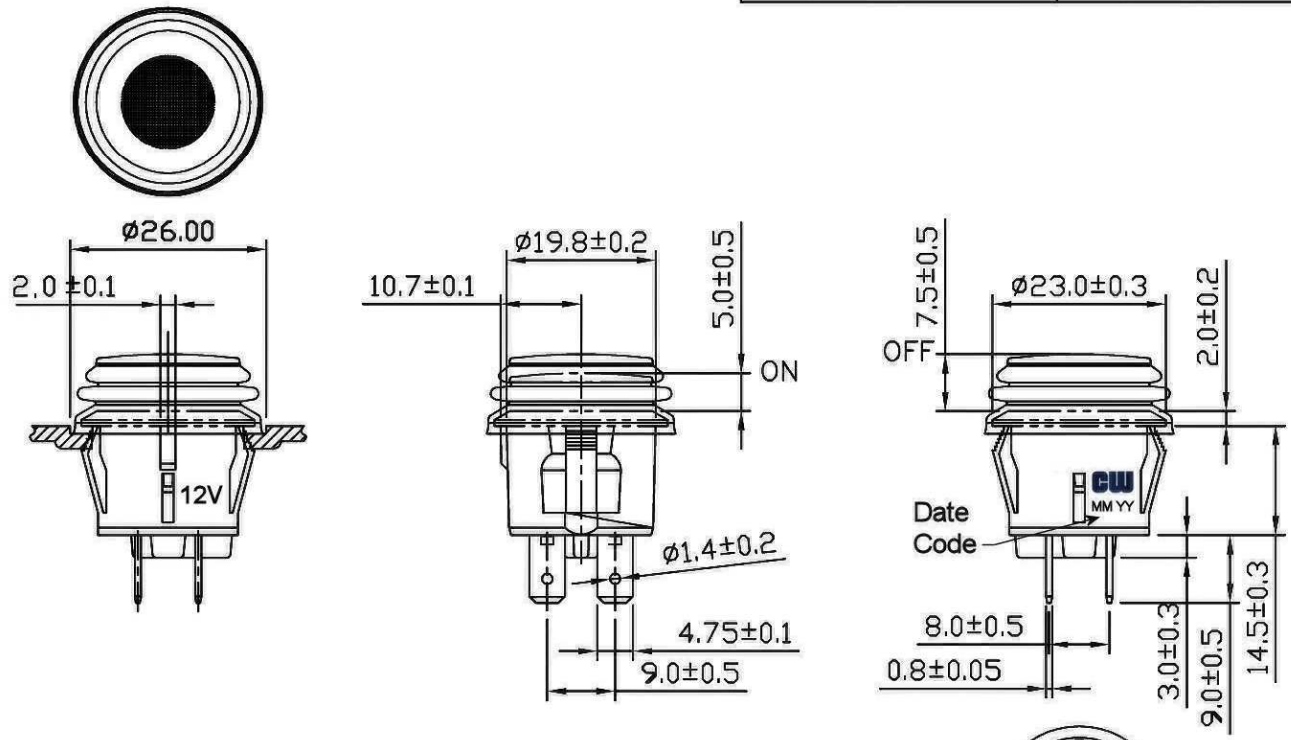
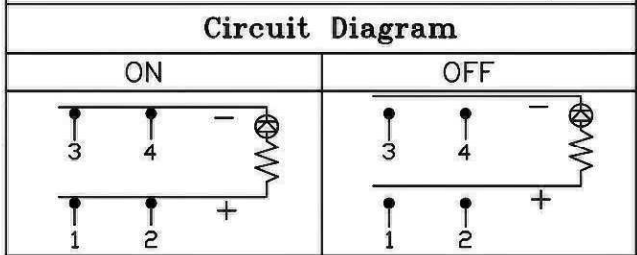


THIS INFORMATION IS CONFIDENTIAL AND PROPRIETARY TO CW INDUSTRIES INCORPORATED AND ITS AFFILIATES. IT MAY NOT BE DISCLOSED TO ANYONE, OTHER THAN CW INDUSTRIES PERSONNEL, WITHOUT WRITTEN AUTHORIZATION FROM CW INDUSTRIES INCORPORATED, SOUTHAMPTON, PENNSYLVANIA USA.

<b>Rating</b>	10A 125V, 6A 250VAC 1/2HP 125/250VAC	
<b>Configured For</b>	12VDC 14V	
<b>Contact Resistance</b>	50m ohm Max.	
<b>Insulation Resistance</b>	DC 500V 100M ohm Min.	
<b>Dielectric Strength</b>	AC 1500V 1 minute	
<b>Operation Temp.</b>	-25°C ~ 85°C	
<b>Function</b>	4P DPST ON - OFF Lamp Dependent	
<b>Lamp Type</b>	LED 12VDC 14V w/resistor	



**Material:**  
**Frame:** Black, Nylon 66 (94-V2)  
**Actuator:** Red Clear, PC (94-V2)  
**Led:** Red  
**Terminals:** Silver plated, Copper alloy  
**Waterproof Rubber:** Black, Silicone  
**Printed:** None  
**Waterproof:** IP65



RoHS Compliant

2	Added Configured for to rating & Lamp Type. 1/23/12.
1	Changed Oper. Temp 65° C to 85° C. 1/12/11

**CW INDUSTRIES**  
 Southampton, Pa. 18966  
 Tel 215.355.7080/www.cwind.com

Date Drawn: 12/14/10  
 Title: PUSH BUTTON SWITCH

Rev. 2  
 Unit: mm  
 CW P/N: GPB527B2L02BR1

Checked By: *G. Gold*