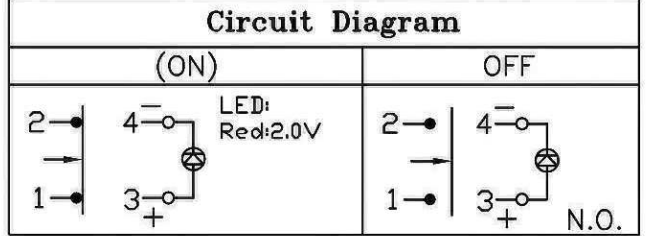
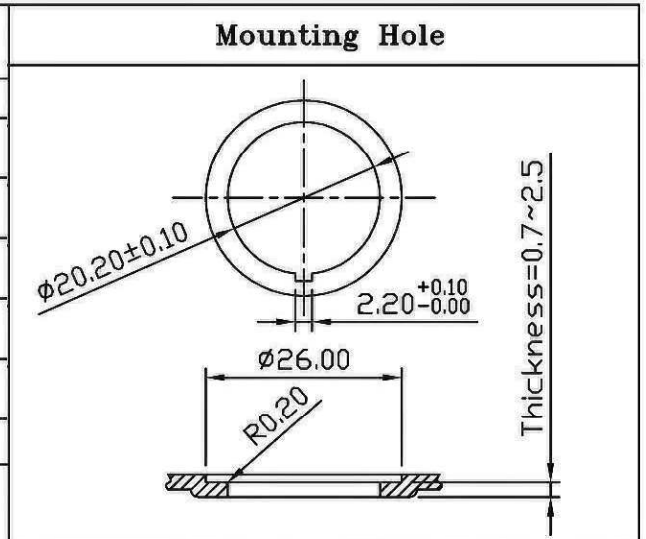


THIS INFORMATION IS CONFIDENTIAL AND PROPRIETARY TO CW INDUSTRIES INCORPORATED AND ITS AFFILIATES. IT MAY NOT BE DISCLOSED TO ANYONE, OTHER THAN CW INDUSTRIES PERSONNEL, WITHOUT WRITTEN AUTHORIZATION FROM CW INDUSTRIES INCORPORATED, SOUTHAMPTON, PENNSYLVANIA USA.

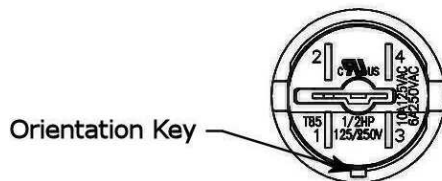
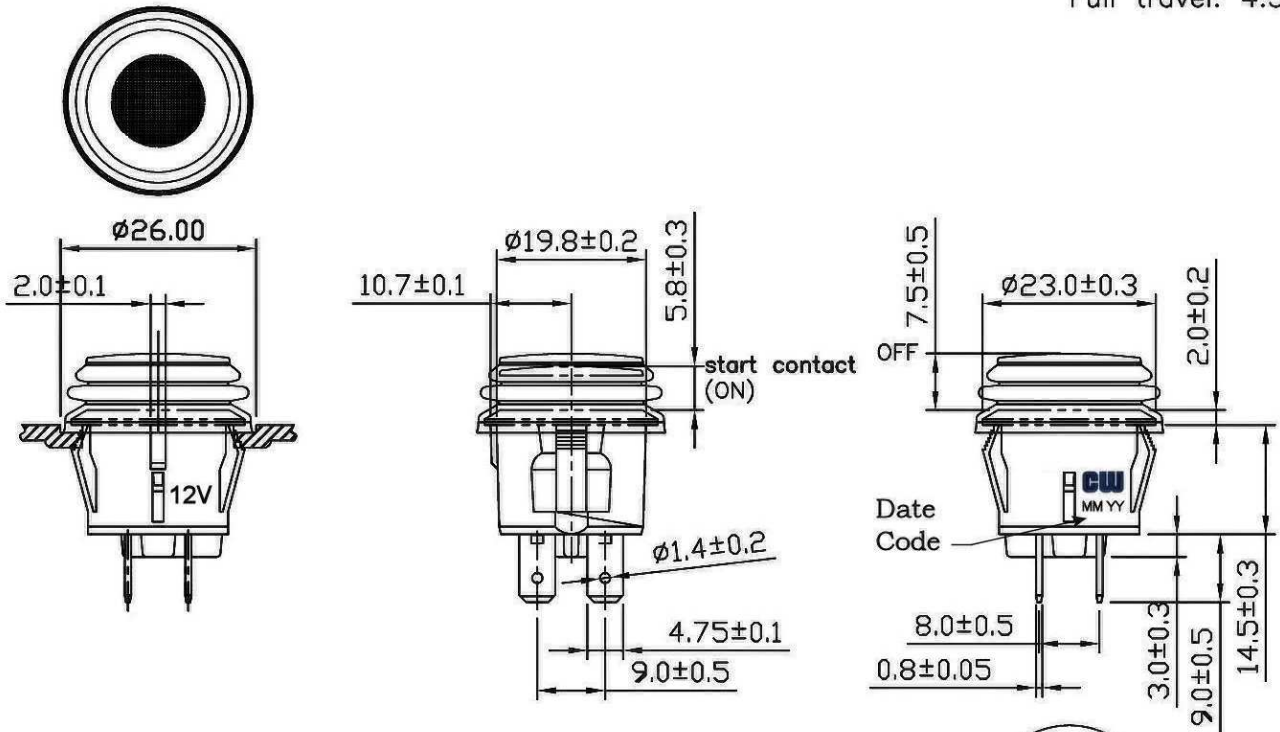
Rating	10A 125VAC, 6A 250VAC 1/2HP 125/250VAC
Configured For	12VDC 14V
Contact Resistance	50m ohm Max.
Insulation Resistance	DC 500V 100M ohm Min.
Dielectric Strength	AC 1500V 1 minute
Operation Temperature	-25°C ~ 85°C
Switch Function	4P SPST (ON)-OFF LED independent
Lamp Type	LED 2.0V No resistor

() = Momentary Function

***MATERIAL:**
 Frame: Black, Nylon 66 (94-V2)
 Actuator: Red, PC (94-V2)
 Terminals: Silver plated, Copper alloy
 Waterproof Rubber: Black, Silicone
 Printed: None
Waterproof: IP65



Full travel: 4.5mm



RoHS Compliant

2 Added Configured for to rating & Lamp Type. 1/23/12.
 1 Added date code. 1/18/11.

CW INDUSTRIES
 Southampton, Pa. 18966
 Tel 215.355.7080/www.cwind.com

Date Drawn: 1/18/11

Rev. 2

Unit: mm

Checked By: *G. Gold*

Title:
PUSH BUTTON SWITCH

CW P/N:
GPB527C2L02BR1