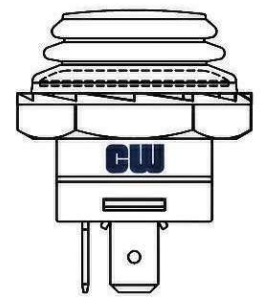
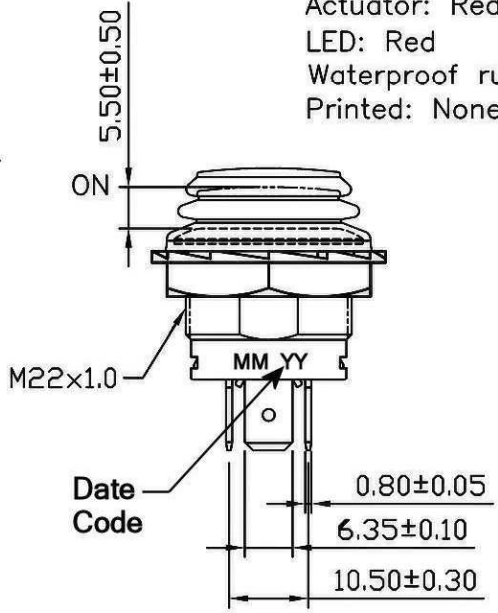
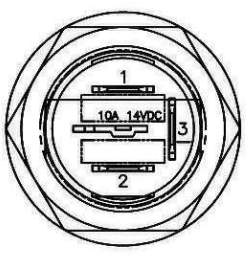
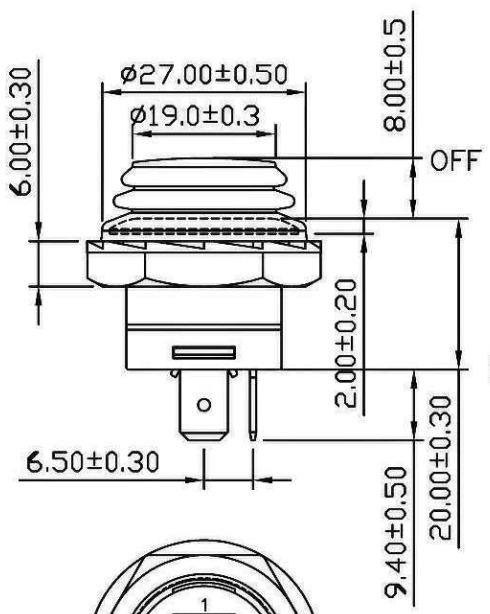
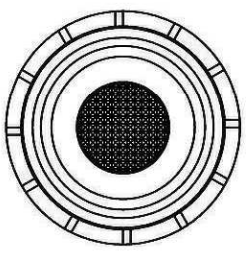


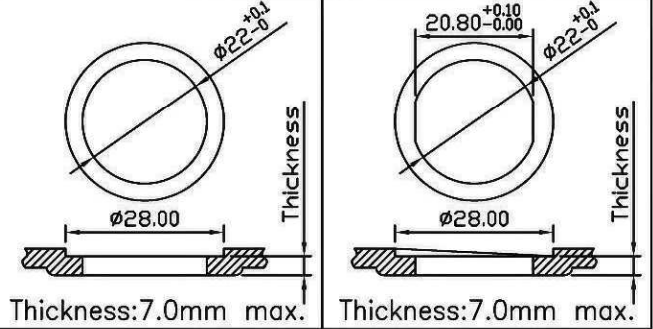
THIS INFORMATION IS CONFIDENTIAL AND PROPRIETARY TO CW INDUSTRIES INCORPORATED AND ITS AFFILIATES. IT MAY NOT BE DISCLOSED TO ANYONE, OTHER THAN CW INDUSTRIES PERSONNEL, WITHOUT WRITTEN AUTHORIZATION FROM CW INDUSTRIES INCORPORATED, SOUTHAMPTON, PENNSYLVANIA USA.

Rating	10A 14VDC
Contact Resistance	50m ohm Max.
Insulation Resistance	DC 500V 100M ohm Min.
Dielectric Strength	AC 1500V 1 minute
Operation Temperature	-25°C~85°C
Switch Function	3P SPST OFF-ON LED dependent
Lamp Type	LED 12VDC 14V w/resistor

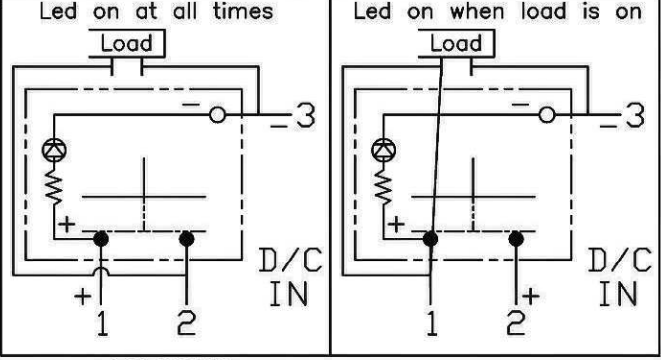
*Electrical life at full load: 20,000cycles.
 *Waterproof: IP65



Mounting Hole



Circuit Diagram



MATERIAL:
 Frame: Black, Nylon 66 (94-V2)
 Actuator: Red, PC clear (94-V2)
 LED: Red
 Waterproof rubber: Black, Silicone
 Printed: None

RoHS Compliant

1 Added Date Code & Lamp Type. 12/20/2011.

CW INDUSTRIES
 Southampton, Pa. 18966
 Tel 215.355.7080/www.cwind.com

Date Drawn: 11/12/08

Rev. 1

Unit: mm

Checked By: *G. Gold*

Title: PUSH BUTTON SWITCH

CW P/N: GPB553B2L01BR