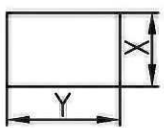
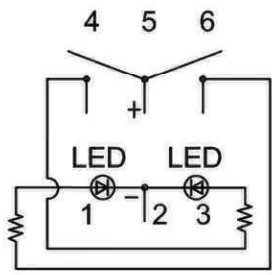
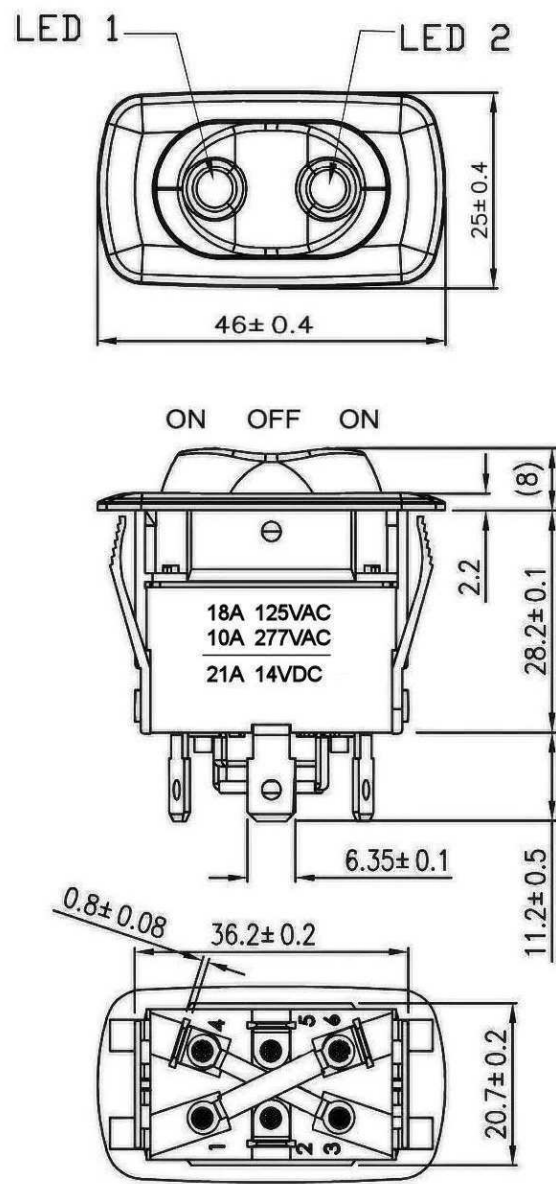
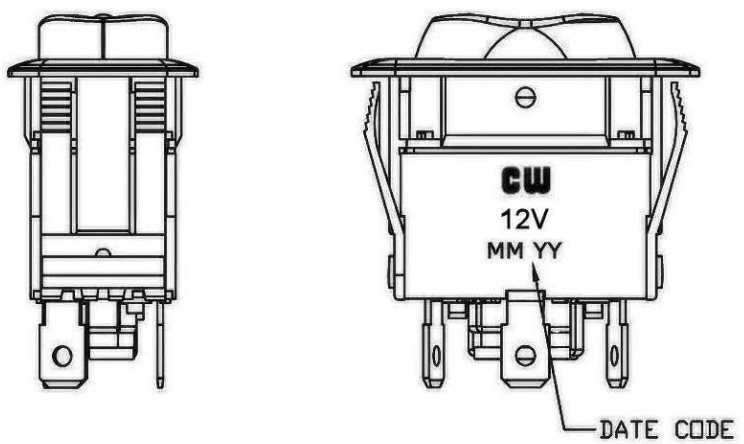


THIS INFORMATION IS CONFIDENTIAL AND PROPRIETARY TO CW INDUSTRIES INCORPORATED AND ITS AFFILIATES. IT MAY NOT BE DISCLOSED TO ANYONE, OTHER THAN CW INDUSTRIES PERSONNEL, WITHOUT WRITTEN AUTHORIZATION FROM CW INDUSTRIES INCORPORATED, SOUTHAMPTON, PENNSYLVANIA USA.

Rating	18A 125VAC 10A 277VAC	Mounting Hole	Circuit Diagram	
	21A 14VDC			
Configured For	12VDC 14V			
Contact Resistance	50m ohm Max.			
Insulation Resistance	DC 500V 100M ohm Min.	Thickness	X	Y
Dielectric Strength	AC 1500V 1 minute	0.75~1.25	21.2+0.1	36.6+0.1
Operation Temperature	-20°C~85°C	1.25~2	21.2+0.1	36.8+0.1
		2~3	21.2+0.1	37.0+0.1
Switch Function	4P SPDT ON - OFF - ON Lamp Dependent			
Lamp Type	LED 12VDC 14V w/resistor			



Material:
 Frame: Black, Nylon#66
 Actuator: Black, Nylon#66
 LED 1: Green
 LED 2: Red
 Printed: None



- 3 Added dependent to function & Lamp Type. 12/15/2011.
- 2 Updated circuit diagram. Changed rating on housing to 21A 14vdc & removed IP-56 note. 1/07/11
- 1 SPDT Was SPST & Removed AC Ratings & added DC Ratings. 8/17/10

RoHS Compliant

CW INDUSTRIES
 Southampton, Pa. 18966
 Tel 215.355.7080/www.cwind.com

Date Drawn: 5/18/10

Rev. 3

Unit: mm

Checked By: *G. Gold*

Title: **ROCKER SWITCH**

CW P/N: **GRB263D2BBGR2D1**