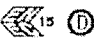

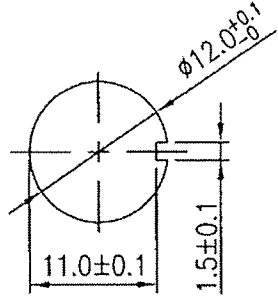
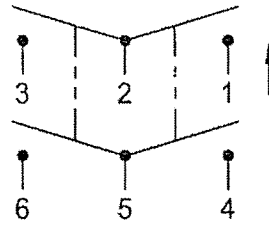


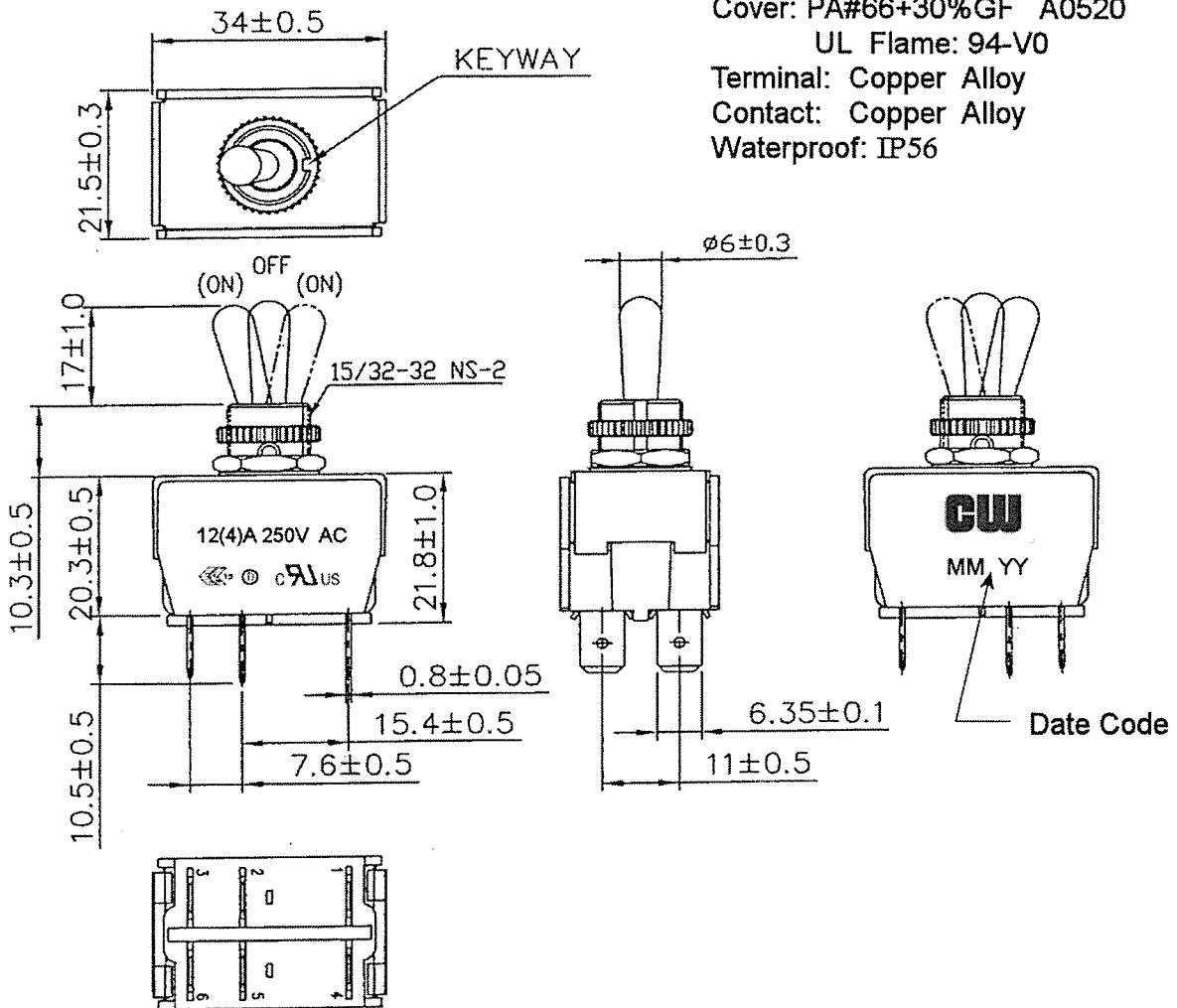
THIS INFORMATION IS CONFIDENTIAL AND PROPRIETARY TO CW INDUSTRIES INCORPORATED AND ITS AFFILIATES. IT MAY NOT BE DISCLOSED TO ANYONE, OTHER THAN CW INDUSTRIES PERSONNEL, WITHOUT WRITTEN AUTHORIZATION FROM CW INDUSTRIES INCORPORATED, SOUTHAMPTON, PENNSYLVANIA USA.

Ratings	12 (4) A 250V AC  		Mounting Hole	Circuit
	Contact Resistance	50m ohm max.		
Insulation Resistance	DC 500V 100M ohm Min.			
Dielectric Strength	AC 1500V 1 minute			
Operation Temperature	0° C ~ 85° C			
Switch Function	6P DPDT (ON) - OFF - (ON)			

( ) = Momentary Function

**Material:**

- Frame: Nylon 66, Black
- UL Flame: 94-V2
- Cover: PA#66+30%GF A0520
- UL Flame: 94-V0
- Terminal: Copper Alloy
- Contact: Copper Alloy
- Waterproof: IP56



RoHS Compliant

5 Redrawn. Removed 16A 277vac rating & added 12(4)A 250vac & listings. 8-08-2012

**CW INDUSTRIES**  
 Southampton, Pa. 18966  
 Tel 215.355.7080/www.cwind.com

Date Drawn: 1/28/11

Rev. 5

Unit: mm

Checked By: *G. Gold*

Title: **TOGGLE SWITCH**

CW P/N: **GTS448K101AHR**