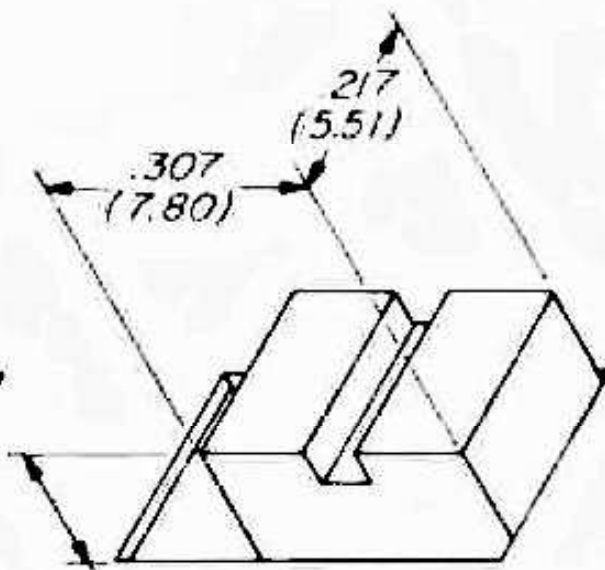
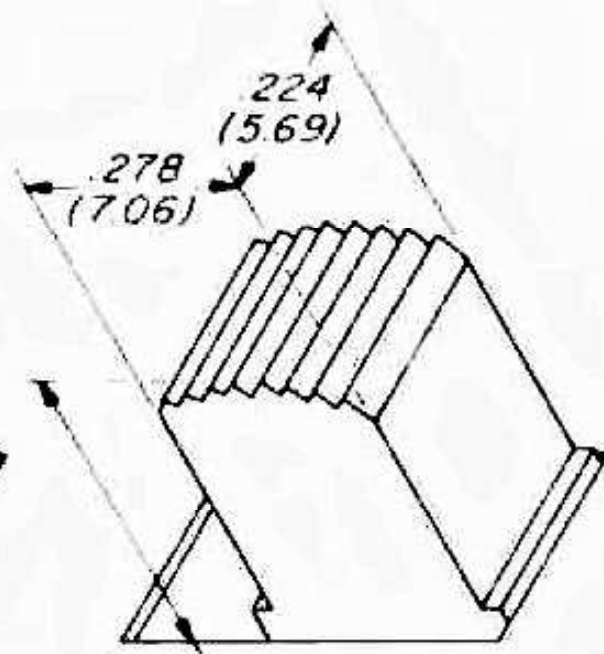


G-02-84



$.032 \pm .010$   
( $.81 \pm .25$ )

G-02-109



$.344 \pm .020$   
( $8.74 \pm .51$ )

G-02-136