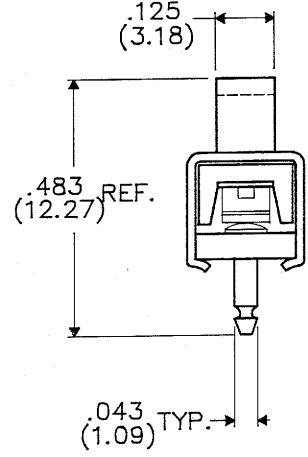
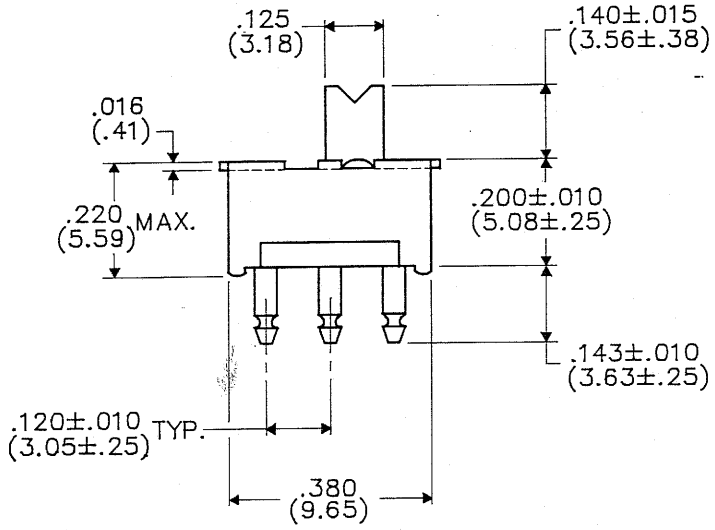
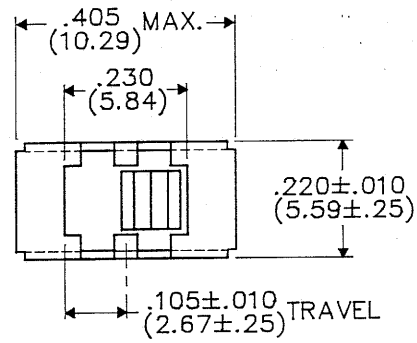


DIMENSIONS IN INCHES (MILLIMETERS)  
DO NOT SCALE DRAWING...

Drawing No. **GS-115-0033**



B-FORM-0

**REVISIONS**

0
---

RELEASED  
MAM 7-12-90  
PJK

**CW INDUSTRIES**  
Southampton, Pa. 18966

TOLERANCES UNLESS OTHERWISE SPECIFIED

2 Place decimal ±.010	METRIC
3 Place decimal ±.005	1 Place dec. ±.25 MM
Angles . . . . . 1°	2 Place dec. ±.13 MM

Made for: CW Ind.

Drawn by: MAM 7-12-90

Checked by: PJK 7-13-90

Approval: PJK 7-13-90

Title **ASSEMBLY DRAWING**  
**SWDGET JR.**  
**S.P. D.T.**

Division **SWITCH**

Drawing No. **GS-115-0033**