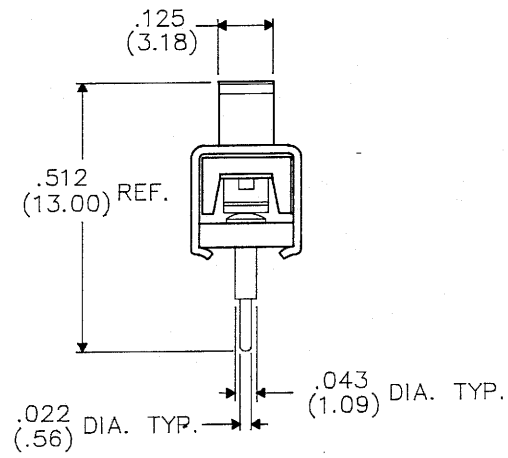
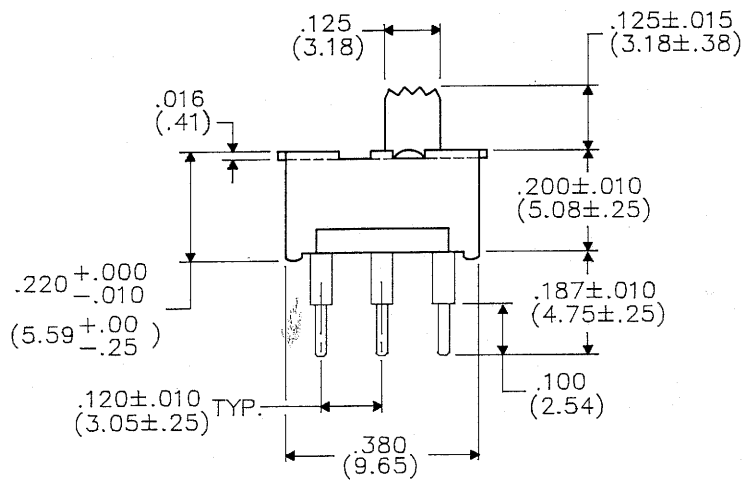
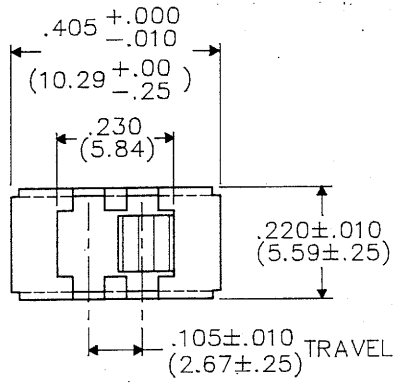


DIMENSIONS IN INCHES (MILLIMETERS)
DO NOT SCALE DRAWING...

Drawing No. **GS-115-0054**



B-FORM-0

REVISIONS

0	RELEASED	SPR 1-19-93
---	----------	-------------

CW INDUSTRIES
Southampton, Pa. 18966

TOLERANCES UNLESS OTHERWISE SPECIFIED
 2 Place decimal ±.010 METRIC
 3 Place decimal ±.005 1 Place dec. ±.25 MM
 Angles: ° 2 Place dec. ±.13 MM

Made for CW IND.
 Drawn by: SPR 1-19-93
 Checked by: G. GULD 1-22-93
 Approval: 533K 1-22-93

Title
**SWIDGET JR.
 ASSEMBLY
 S.P.-D.T.
 RAD. KNURL**

Division
SWITCH

Drawing No.
GS-115-0054