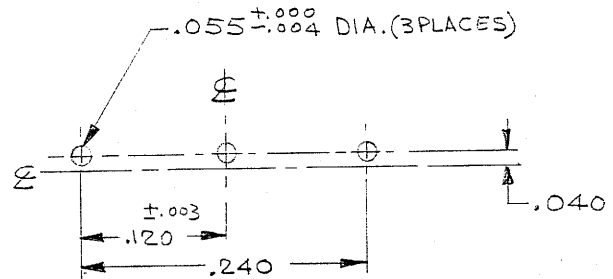
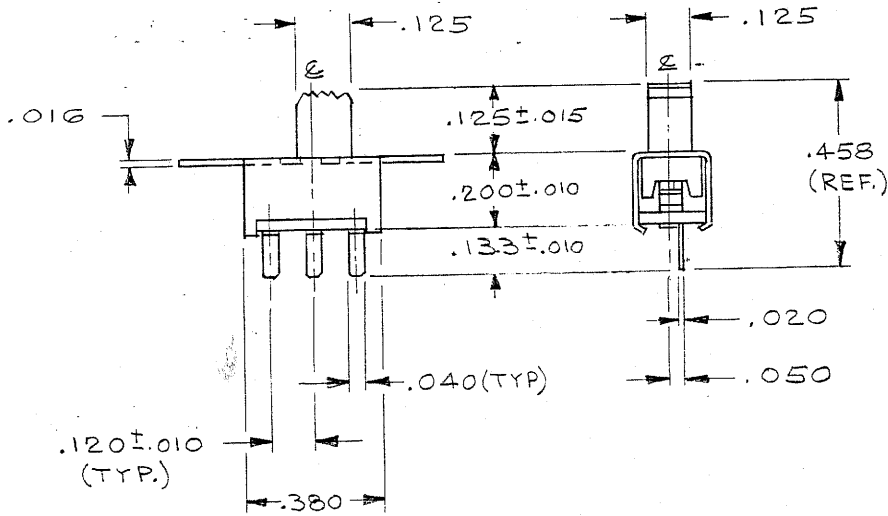
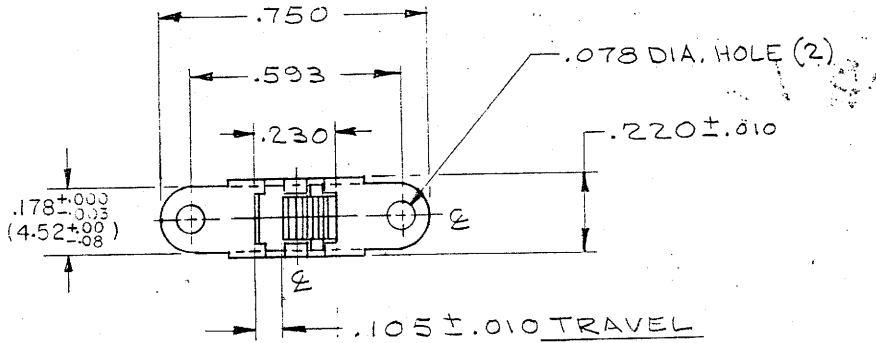


GS-115-0066⁰



ELECTRICAL RATING: 0.5 amp AC-DC at 125 v.

BUTTONS: See page 7, drawing B-1, catalog 2096-73, for options. Standard is .125" high button, as shown.

Available is .140" high G-02-115-3; and .210" high G-02-115-4.

Knob with notch in top for thumb nail actuation is also available in heights of .125" (G-02-115); .140" (G-02-115-1); and .169" (G-02-115-5).

PERFORMANCE STANDARDS: See page 3, catalog 2096-73.

MOUNTING ARRANGEMENT

DIMENSIONS ARE IN INCHES. DO NOT SCALE DRAWING.

REVISIONS	0
DATE AP. 3-26-74	1
ENG. AP. [Signature]	2
PART NUMBER WAS GS-115-006 T.C. 7/17/74	
APPROVED: [Signature]	
DATE 4-26-74	

VARIATIONS ON FINISHED DIMENSIONS UNLESS OTHERWISE MARKED	
TOLERANCES UNLESS OTHERWISE SPECIFIED	
2 PLACE DECIMAL	± .010
3 PLACE DECIMAL	± .005
FRACTIONS	± 1/64
ANGULAR DIMENSIONS	± 1/2°

SWIDGET
S.P.-D.T.

FIRST MADE FOR SW

DRAWN BY J.V.

DATE DRAWN 4-23-74

CHECKED BY [Signature]

GW INDUSTRIES
WARMINSTER, PA. 18974

GS-115-0066⁰