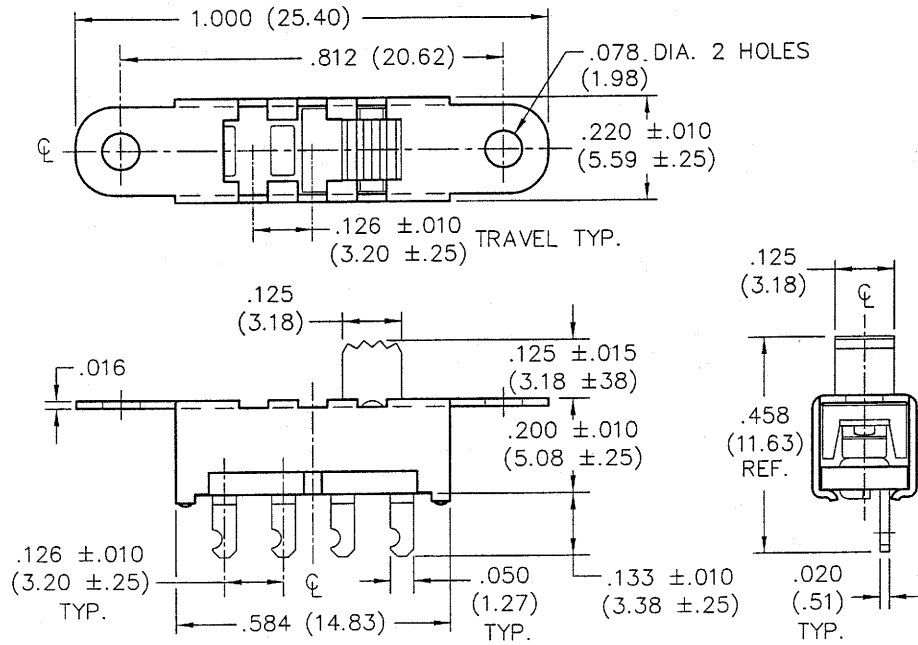


DIMENSIONS IN INCHES (MILLIMETERS)
DO NOT SCALE DRAWING

Dwg. No.
GS-118-0000



E
D
C
B
A

1 2 3 4 5 6 7 8 9 10

B-FORMAT 2002
REVISIONS
O
RELEASED:
DGW 10-26-2006

CW INDUSTRIES
Southampton, Pa. 18966

TOLERANCES UNLESS OTHERWISE SPECIFIED

2 Place Decimal ±.010	METRIC
3 Place Decimal ±.005	1 Place Dec. ±.25mm
Angles ±1°	2 Place Dec. ±.13mm

Made for: CW IND.
Drawn by: DGW 10-26-2006
Checked by: *B. Gold 10-26-06*
Approval: *B. Gold 10-26-06*

PDF FILE MADE

Title: **MICRO-SLIDE SWITCH ASSEMBLY S.P./3 POS.**

Division: **SWITCH**

Dwg. No. **GS-118-0000**